



AS-i data decoupler 2 x 4 A Screw terminals, AS-i dual Data decoupling module IP20, SlimLine S22.5 Screw terminals Overall width module 22.5 mm IN: 24 V / 30 V DC OUT: 2 x AS-i, 4 A Integrated overload protection Integrated ground fault detection Signaling contact Remote reset

General technical data		
product designation		Twin data decoupling module
design of the product		SlimLine S22.5 - Module to be used in the IP20 control cabinet
protection class IP		IP20
installation altitude at height above sea level maximum	m	2 000
ambient temperature		
• during operation	°C	-25 ... +70
• during storage	°C	-40 ... +85
relative humidity at 25 °C during operation maximum	%	70
reference code according to DIN 40719 extended according to IEC 204-2 according to IEC 750		A
reference code according to EN 61346-2		A
supplied active power	W	240
mechanical service life (operating cycles) of the signaling contacts typical		1 000 000
product function		
• auto-RESET		No
• external reset		Yes
• manual RESET		Yes
• ground fault detection		Yes
• test function of signaling contacts		Yes
• suitable for grounded AS-i networks		Yes
• adapted for non-grounded AS-i networks		Yes
• suitable for AS-i Power24V		Yes
• sequential connected time-delay		Yes
• AS-Interface data decoupling		Yes
reset function		yes
adjustable current response value current of the current-dependent overload release	A	2.5 ... 4
number of electrical connections for signaling contact		3
number of outputs for AS-Interface maximum		2
display version as status display by LED		yes
number of switching contacts as NO contact for signaling function		2
design of the switching contact as NO contact for signaling function		yes
response delay of the sequential connection delay	ms	200
Communication/ Protocol		
protocol is supported AS-Interface protocol		Yes
Auxiliary circuit		
operational current of auxiliary contacts		
• at AC-15 at 24 V	A	3

• at DC-13 at 24 V	A	1
<b>Inputs/ Outputs</b>		
<b>type of voltage</b>		
• of the input voltages		DC
• of the input voltage		DC
<b>property of the output short-circuit proof</b>		Yes
<b>output voltage</b>		
• 1 at DC rated value	V	30
—	V	20.5 ... 31.6
• 2 at DC rated value	V	24
<b>output current at DC maximum</b>	A	4
<b>input voltage</b>		
• 1 at DC rated value	V	30
—	V	21 ... 32
• 2 at DC rated value	V	24
<b>input current at DC maximum</b>	A	8.2
<b>Short-circuit protection</b>		
<b>design of short-circuit protection</b>		electronic
<b>Installation/ mounting/ dimensions</b>		
<b>mounting position</b>		vertical
<b>fastening method</b>		35-mm DIN rail mounting or wall mounting with plug-in flaps
<b>width</b>	mm	22.5
<b>height</b>	mm	101.3
<b>depth</b>	mm	121.2
<b>type of electrical connection for auxiliary and control circuit</b>		screw-type terminals
<b>product component removable terminal for auxiliary and control circuit</b>		Yes
<b>type of connectable conductor cross-sections</b>		
• for auxiliary contacts		
— solid		1x (0.5 ... 4 mm <sup>2</sup> ), 2x (0.5 ... 2.5 mm <sup>2</sup> )
— finely stranded		
— with core end processing		1x (0.5 ... 2.5 mm <sup>2</sup> ), 2x (0.5 ... 1.5 mm <sup>2</sup> )
• for AWG cables for auxiliary contacts		2x (20 ... 14)
<b>certificate of suitability</b>		CE / UL / CSA
<b>suitability for use safety-related circuits</b>		Yes
<b>Certificates/ approvals</b>		
General Product Approval	EMV	Maritime application



other

Environment



[Confirmation](#)

[Environmental Conformations](#)

#### Further information

##### Information on the packaging

<https://support.industry.siemens.com/cs/ww/en/view/109813875>

##### Information for data generation and storage

<https://support.industry.siemens.com/cs/ww/en/view/109995012>

##### Information- and Downloadcenter (Catalogs, Brochures,...)

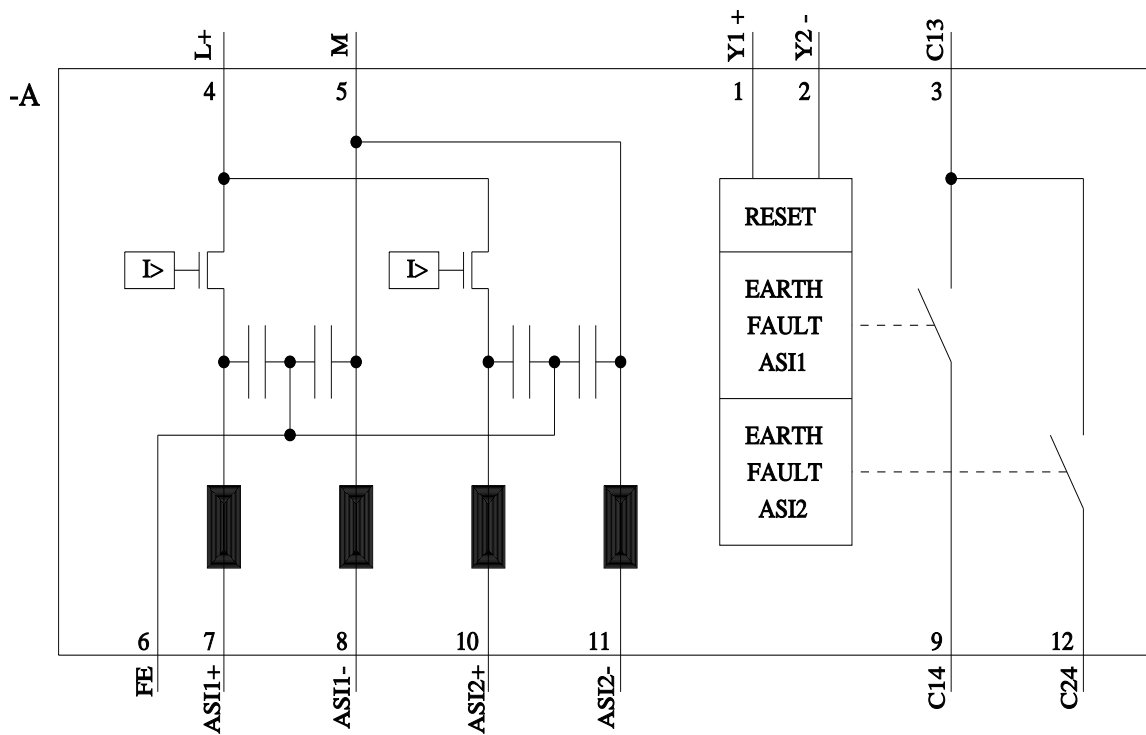
<https://www.siemens.com/ic10>

##### Industry Mall (Online ordering system)

<https://mall.industry.siemens.com/mall/en/en/Catalog/product?mlfb=3RK1901-1DE22-1AA0>

##### Cax online generator

<https://support.automation.siemens.com/WW/CAXorder/default.aspx?lang=en&mlfb=3RK1901-1DE22-1AA0>



---

last modified:

4/1/2025 