



SIRIUS motor starter M200D technology module reversing starter mechanical switching AC-3, 0.75 kW/400 V 0.15 A...2.00 A electronic overload protection thermistor: thermoclock / PTC with brake contact 400 V AC 4 DI / 2 DO Han Q4/2 - Han Q8/0 with manual on-site operation and keyswitch via communications module 3RK1305\* can be used on PROFIBUS or PROFINET

|   |  |
|---|--|
| <b>product brand name</b>   | SIRIUS   |
| <b>product designation</b>  | Motor starters   |
| <b>design of the product</b>  | reversing starter  |
| <b>product type designation</b>   | M200D  |
| <b>product function</b>   |  |
| • on-site operation   | Yes  |
| • control circuit interface to parallel wiring                          | No   |
| <b>insulation voltage rated value</b>                                   | 500 V  |
| <b>degree of pollution</b>  | 3  |
| <b>surge voltage resistance rated value</b>                             | 6 000 V  |
| <b>maximum permissible voltage for protective separation</b>            |  |
| • between main and auxiliary circuit                                    | 400 V  |
| • between control and auxiliary circuit                                 | 24 V   |
| <b>shock resistance</b>   | 12g / 11 ms  |
| <b>vibration resistance</b>   | 7 mm / 2g  |
| mechanical service life (operating cycles) of the main contacts typical | 10 000 000   |
| <b>type of coordination</b>   | 2  |
| <b>Substance Prohibitance (Date)</b>                                    | 07/01/2006   |
| <b>SVHC substance name</b>  | Lead - 7439-92-1<br>Lead monoxide (lead oxide) - 1317-36-8<br>2,2',6,6'-tetrabromo-4,4'-isopropylidenediphenol - 79-94-7 |
| <b>Weight</b>   | 4.06 kg  |
| <b>product function</b>   |  |
| • direct start  | No   |
| • reverse starting  | Yes  |
| <b>product component motor brake output</b>                             | Yes  |
| <b>product feature</b>  |  |
| • brake control with 230 V AC   | Yes  |
| • brake control with 400 V AC   | Yes  |
| • brake control with 24 V DC  | No   |
| • brake control with 180 V DC   | No   |
| • brake control with 500 V DC   | No   |
| <b>product extension braking module for brake control</b>               | No   |
| <b>product function short circuit protection</b>                        | Yes  |
| <b>design of short-circuit protection</b>                               | circuit-breakers   |
| <b>maximum short-circuit current breaking capacity (Icu)</b>            |  |
| • at 400 V rated value  | 50 000 A   |
| • at 500 V rated value  | 50 000 A   |
| EMC emitted interference according to IEC 60947-1                       | CISPR11, ambience A (industrial sector)  |
| EMC immunity according to IEC 60947-1                                   | corresponds to degree of severity 3, ambience A (industrial sector)  |

|   |   |
|---|---|
| <b>conducted interference</b>   |   |
| <ul style="list-style-type: none"> <li>• due to burst according to IEC 61000-4-4</li> <li>• due to conductor-earth surge according to IEC 61000-4-5</li> <li>• due to conductor-conductor surge according to IEC 61000-4-5</li> </ul>   | 2 kV network connection / 1 kV control connection<br>2 kV<br>1 kV |
| <b>Safety related data</b>  |   |
| <b>proportion of dangerous failures</b>   |   |
| <ul style="list-style-type: none"> <li>• with low demand rate according to SN 31920</li> <li>• with high demand rate according to SN 31920</li> </ul>   | 50 %<br>75 %  |
| <b>B10 value with high demand rate according to SN 31920</b>  | 1 000 000   |
| <b>failure rate [FIT] with low demand rate according to SN 31920</b>  | 100 FIT   |
| <b>IEC 61508</b>  |   |
| T1 value for proof test interval or service life according to IEC 61508   | 20 a  |
| <b>Electrical Safety</b>  |   |
| <b>touch protection against electrical shock</b>  | finger-safe   |
| <b>Main circuit</b>   |   |
| <b>number of poles for main current circuit</b>   | 3   |
| <b>design of the switching contact</b>  | electromechanical   |
| <b>adjustable current response value current of the current-dependent overload release</b>  | 0.15 ... 2 A  |
| <b>type of the motor protection</b>   | full motor protection   |
| operating voltage rated value   | 200 ... 440 V   |
| <b>operational current</b>  |   |
| <ul style="list-style-type: none"> <li>• at AC at 400 V rated value</li> <li>• at AC-3 at 400 V rated value</li> </ul>  | 2 A<br>2 A  |
| <b>operating power</b>  |   |
| <ul style="list-style-type: none"> <li>• at AC-3 <ul style="list-style-type: none"> <li>— at 400 V rated value</li> <li>— at 500 V rated value</li> </ul> </li> <li>• at AC-3e <ul style="list-style-type: none"> <li>— at 400 V rated value</li> <li>— at 500 V rated value</li> </ul> </li> </ul> | 0.75 kW<br>750 W<br>1 kW<br>0.75 kW                               |
| <b>product function</b>   |   |
| <ul style="list-style-type: none"> <li>• digital inputs parameterizable</li> <li>• digital outputs parameterizable</li> </ul>   | Yes<br>Yes  |
| <b>number of digital inputs</b>   | 4   |
| <b>number of sockets</b>  |   |
| <ul style="list-style-type: none"> <li>• for digital output signals</li> <li>• for digital input signals</li> </ul>   | 2<br>4  |
| <b>number of digital outputs</b>  | 2   |
| <b>Supply voltage</b>   |   |
| <b>type of voltage of the supply voltage</b>  | DC  |
| <b>supply voltage 1 at DC</b>   | 24 V  |
| <b>Control circuit/ Control</b>   |   |
| <b>type of voltage of the control supply voltage</b>  | DC  |
| <b>control supply voltage 1 at DC rated value</b>   | 20.4 ... 28.8 V   |
| <b>control supply voltage 1 at DC</b>   | 20.4 ... 28.8 V   |
| <b>control current at DC</b>  |   |
| <ul style="list-style-type: none"> <li>• in standby mode of operation</li> <li>• during operation</li> </ul>  | 100 mA<br>600 mA  |
| <b>power loss [W] in auxiliary and control circuit</b>  |   |
| <ul style="list-style-type: none"> <li>• in switching state OFF with bypass circuit</li> <li>• in switching state ON with bypass circuit</li> </ul>   | 1.9584 W<br>5.04 W  |
| <b>Response times</b>   |   |
| <b>ON-delay time</b>  | 85 ms   |
| <b>OFF-delay time</b>   | 65 ms   |
| <b>mounting position</b>  | vertical, horizontal, flat  |
| <b>mounting position recommended</b>  | horizontal  |
| <b>fastening method</b>   | screw fixing  |
| <b>height</b>   | 215 mm  |

|  |   |
|--|---|
| <b>width</b>   | 294 mm  |
| <b>depth</b>   | 148 mm  |
| <b>Ambient conditions</b>  |   |
| installation altitude at height above sea level maximum              | 2 000 m   |
| <b>ambient temperature</b>   |   |
| • during operation   | -25 ... +55 °C                                  |
| • during storage   | -40 ... +70 °C                                  |
| • during transport   | -40 ... +70 °C                                  |
| relative humidity during operation                                   | 10 ... 95 %                                     |
| <b>protocol is supported</b>   |   |
| • PROFIBUS DP protocol   | No  |
| • PROFINET protocol  | No  |
| <b>design of the interface</b>                                       |   |
| • AS-Interface protocol  | No  |
| • PROFINET protocol  | No  |
| • PROFIBUS DP protocol   | No  |
| <b>product function bus communication</b>                            | Yes   |
| protocol is supported AS-Interface protocol                          | No  |
| product function control circuit interface with IO link              | No  |
| <b>type of electrical connection</b>                                 |   |
| • for main current circuit   | plug according to ISO 23570, HAN Q4/2 connector |
| • for auxiliary and control circuit                                  |   |
| <b>type of electrical connection</b>                                 |   |
| • 1 for digital input signals  | M12 socket                                      |
| • 1 for digital output signals                                       | M12 socket                                      |
| • 2 for digital input signals  | M12 socket                                      |
| • 3 for digital input signals  | M12 socket                                      |
| • 4 for digital input signals  | M12 socket                                      |
| full-load current (FLA) for 3-phase AC motor at 480 V rated value    | 1.6 A   |
| <b>yielded mechanical performance [hp]</b>                           |   |
| • for 3-phase AC motor   |   |
| — at 460/480 V rated value   | 0.7 hp  |
| — at 575/600 V rated value   | 1 hp  |
| operating voltage at AC at 60 Hz according to CSA and UL rated value | 600 V   |

**Approvals Certificates**

|                                 |     |
|---------------------------------|-----|
| <b>General Product Approval</b> | EMV |
|---------------------------------|-----|



|                          |              |                        |                    |                                 |
|--------------------------|--------------|------------------------|--------------------|---------------------------------|
| <b>Test Certificates</b> | <b>other</b> | <b>Dangerous goods</b> | <b>Environment</b> | <b>Industrial Communication</b> |
|--------------------------|--------------|------------------------|--------------------|---------------------------------|

[Type Test Certificates/Test Report](#)



[Confirmation](#)

[Transport Information](#)

[Environmental Conformations](#)



**Further information**

**Information on the packaging**

<https://support.industry.siemens.com/cs/ww/en/view/109813875>

**Information for data generation and storage**

<https://support.industry.siemens.com/cs/ww/en/view/109995012>

**Information- and Downloadcenter (Catalogs, Brochures,...)**

<https://www.siemens.com/ic10>

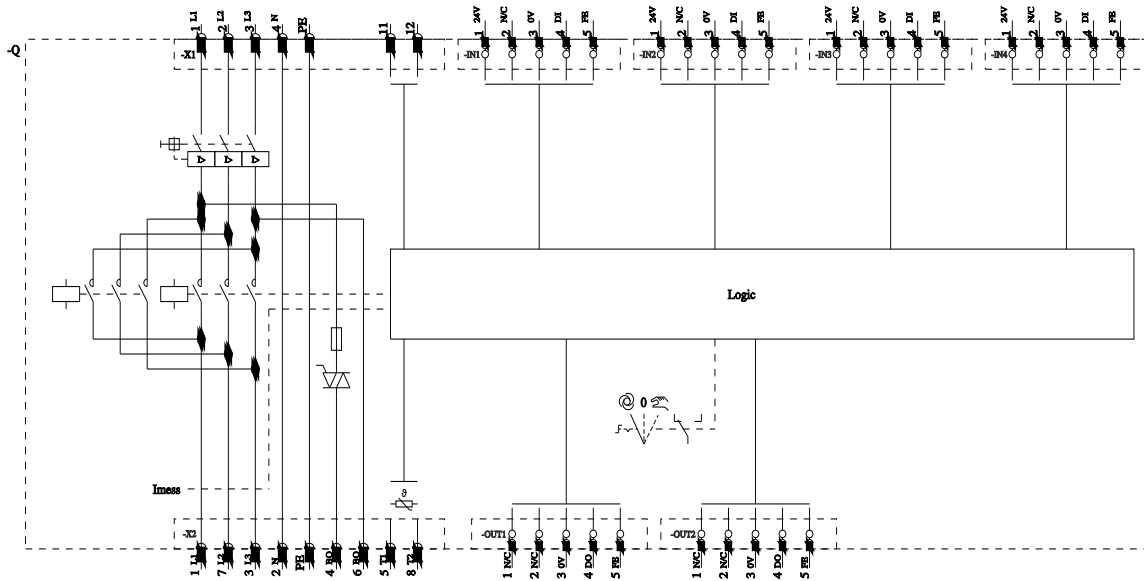
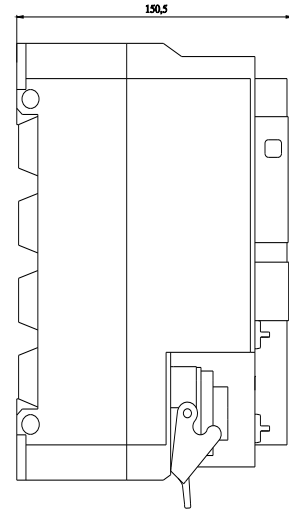
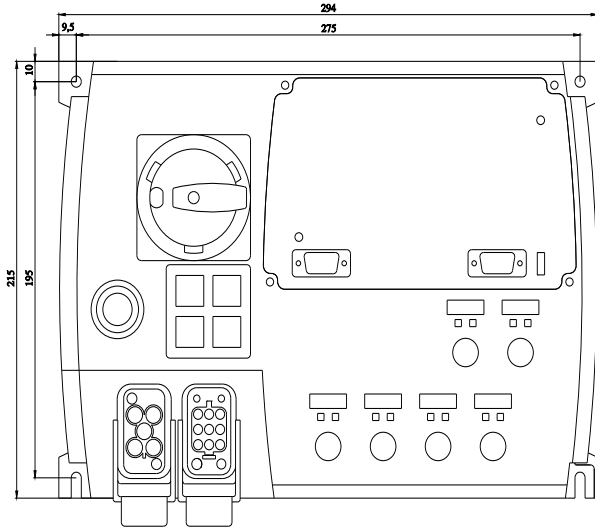
**Industry Mall (Online ordering system)**

<https://mall.industry.siemens.com/mall/en/en/Catalog/product?mlfb=3RK1395-6KS41-3AD3>

**Cax online generator**

<https://support.automation.siemens.com/WW/CAXorder/default.aspx?lang=en&mlfb=3RK1395-6KS41-3AD3>

**Service&Support (Manuals, Certificates, Characteristics, FAQs,...)**



---

last modified:

4/2/2025 