



SIRIUS motor starter M200D communication module PROFIBUS DP removable Bus connection 2 x M12 with loop-through Power connection 24 V 2 x 7/8" with loop-through Bus terminating resistor integrated via technology module 3RK1395* can be used as Motor starter M200D with communication

General technical data		
product brand name		SIRIUS
product designation		Communication module
design of the product		communication module
product function bus communication		Yes
surge voltage resistance rated value	V	800
insulation voltage rated value	V	30
reference code according to EN 61346-2		Q
fastening method		screw fixing
width	mm	174
height	mm	139
depth	mm	32
Control circuit/ Control		
type of voltage of the control supply voltage		DC
control supply voltage 1		
• at DC		
— rated value	V	24
Supply voltage		
type of voltage of the supply voltage		DC
supply voltage at DC rated value		
•	V	24
• minimum permissible	V	20.4
• maximum permissible	V	28.8
Ambient conditions		
protection class IP		IP65
ambient temperature		
• during storage	°C	-40 ... +70
• during operation	°C	-25 ... +55
• during transport	°C	-40 ... +70
relative humidity during operation	%	10 ... 95
vibration resistance		7 mm / 2g
shock resistance		12g / 11 ms
degree of pollution		3
installation altitude at height above sea level maximum	m	2 000
mounting position		vertical, horizontal, flat
mounting position recommended		horizontal
Communication/ Protocol		
design of the interface AS-Interface protocol		No
protocol is supported AS-Interface protocol		No
design of the interface PROFIBUS DP protocol		Yes

protocol is supported PROFIBUS DP protocol		Yes
product function		
• control circuit interface with IO link		No
• control circuit interface to parallel wiring		No
protocol is supported PROFINET protocol		No
type of electrical connection of the communication interface		M12 plug

Connections/ Terminals

type of electrical connection		
• for communication transmission		M12 socket
• for auxiliary and control circuit		connector

Electromagnetic compatibility

EMC immunity according to IEC 60947-1		corresponds to degree of severity 3, ambience A (industrial sector)
conducted interference due to burst according to IEC 61000-4-4		2 kV network connection / 1 kV control connection
conducted interference due to conductor-earth surge according to IEC 61000-4-5		2 kV
conducted interference due to conductor-conductor surge according to IEC 61000-4-5		1 kV
EMC emitted interference according to IEC 60947-1		CISPR11, ambience A (industrial sector)
certificate of suitability		CE

Certificates/ approvals

General Product Approval	EMV	Test Certificates
--------------------------	-----	-------------------



[Type Test Certificates/Test Report](#)

other	Environment	Industrial Communication
-------	-------------	--------------------------



[Confirmation](#)

[Environmental Confirmations](#)



Further information

Information on the packaging

<https://support.industry.siemens.com/cs/ww/en/view/109813875>

Information for data generation and storage

<https://support.industry.siemens.com/cs/ww/en/view/109995012>

Information- and Downloadcenter (Catalogs, Brochures,...)

<https://www.siemens.com/ic10>

Industry Mall (Online ordering system)

<https://mall.industry.siemens.com/mall/en/en/Catalog/product?mlfb=3RK1305-0AS01-0AA0>

Cax online generator

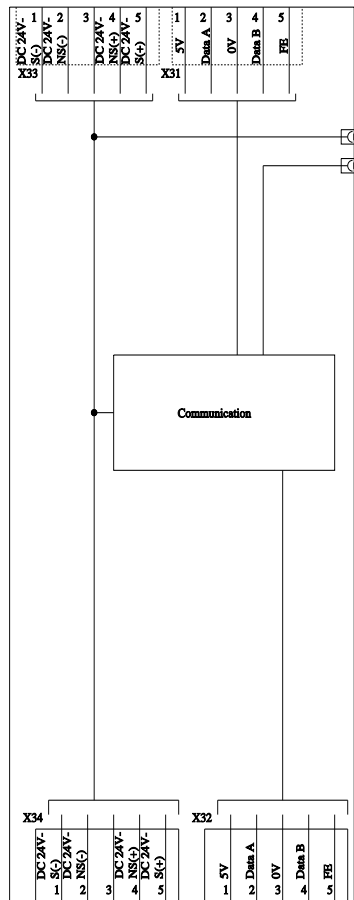
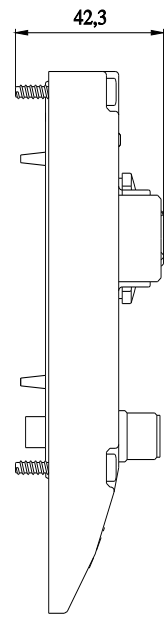
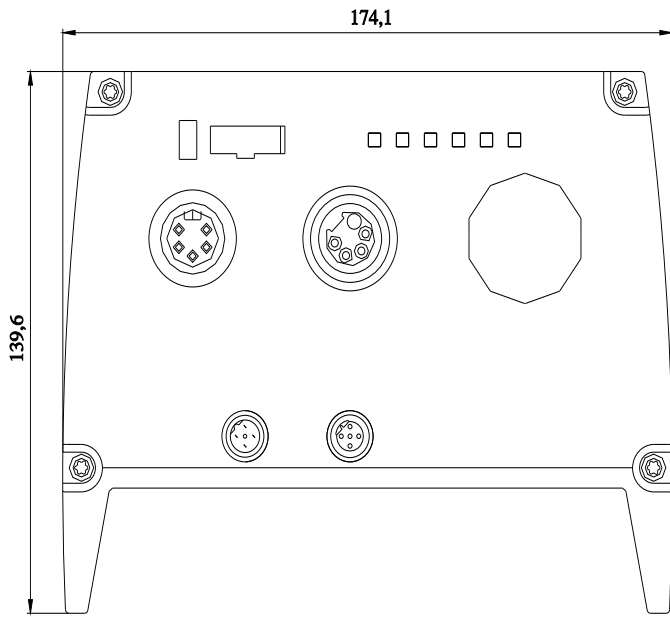
<https://support.automation.siemens.com/WW/CAXorder/default.aspx?lang=en&mlfb=3RK1305-0AS01-0AA0>

Service&Support (Manuals, Certificates, Characteristics, FAQs,...)

<https://support.industry.siemens.com/cs/ww/en/ps/3RK1305-0AS01-0AA0>

Image database (product images, 2D dimension drawings, 3D models, device circuit diagrams, EPLAN macros, ...)

https://www.automation.siemens.com/bilddb/cax_de.aspx?mlfb=3RK1305-0AS01-0AA0&lang=en



last modified:

4/2/2025