



Figure similar

Solid-state contactor 1-phase 3RF2 AC 51 / 40 A / 40 °C 48-460 V / 24 V DC low power short circuit-proof up to 25 A with B miniature circuit breaker

<b>product brand name</b>	SIRIUS
<b>product designation</b>	solid-state contactor
<b>design of the product</b>	1-pole
<b>product type designation</b>	3RF23
<b>General technical data</b>	
<b>product function</b>	short-circuit resistant with B-automatic device
<b>degree of pollution</b>	3
surge voltage resistance of main circuit rated value	6 kV
protection class IP on the front according to IEC 60529	IP20
<b>reference code according to IEC 81346-2</b>	Q
<b>Substance Prohibition (Date)</b>	05/28/2009
<b>SVHC substance name</b>	Lead - 7439-92-1 Lead monoxide (lead oxide) - 1317-36-8 Dibutylbis(pentane-2,4-dionato-O,O')tin - 22673-19-4
<b>Weight</b>	0.293 kg
<b>Main circuit</b>	
<b>type of voltage of the operating voltage</b>	AC
<b>operating voltage</b>	
• at AC	
— at 50 Hz rated value	48 ... 460 V
— at 60 Hz rated value	48 ... 460 V
<b>operating range relative to the operating voltage at AC</b>	
• at 50 Hz	40 ... 506 V
• at 60 Hz	40 ... 506 V
<b>operational current</b>	
• at AC-51 rated value	40 A
• at AC-51 according to IEC 60947-4-3	33 A
• according to UL 508 rated value	30 A
<b>operational current minimum</b>	500 mA
<b>blocking voltage at the thyristor for main contacts maximum permissible</b>	1 200 V
<b>reverse current of the thyristor</b>	10 mA
<b>Control circuit/ Control</b>	
<b>type of voltage of the control supply voltage</b>	DC
<b>control supply voltage 1 at DC rated value maximum permissible</b>	30 V
<b>control supply voltage 1 at DC</b>	15 ... 24 V
<b>control supply voltage</b>	
• at DC initial value for signal <1> detection	15 V
• at DC full-scale value for signal<0> recognition	5 V

<b>ON-delay time</b>	1 ms; additionally max. one half-wave	
<b>OFF-delay time</b>	1 ms; additionally max. one half-wave	
<b>Auxiliary circuit</b>		
<b>type of switching contact</b>	normally open contact (NO)	
<b>Installation/ mounting/ dimensions</b>		
<b>fastening method</b>	screw fixing and snap-on mounting on standard mounting rail 35 mm according to IEC 60715	
<b>height</b>	100 mm	
<b>width</b>	45 mm	
<b>depth</b>	135.5 mm	
<b>Connections/ Terminals</b>		
<b>product component removable terminal for auxiliary and control circuit</b>	Yes	
<b>type of electrical connection</b>		
<ul style="list-style-type: none"> <li>• for main current circuit</li> <li>• for auxiliary and control circuit</li> </ul>	screw-type terminals screw-type terminals	
<b>stripped length of the cable</b>		
<ul style="list-style-type: none"> <li>• for main contacts</li> <li>• for auxiliary and control contacts</li> </ul>	10 mm 7 mm	
<b>Electrical Safety</b>		
<b>protection class IP on the front according to IEC 60529</b>	IP20	
<b>touch protection on the front according to IEC 60529</b>	finger-safe, for vertical contact from the front	
<b>Electromagnetic compatibility</b>		
<b>conducted interference</b>		
<ul style="list-style-type: none"> <li>• due to burst according to IEC 61000-4-4</li> <li>• due to conductor-earth surge according to IEC 61000-4-5</li> <li>• due to conductor-conductor surge according to IEC 61000-4-5</li> <li>• due to high-frequency radiation according to IEC 61000-4-6</li> </ul>	2 kV / 5 kHz behavior criterion 2 2 kV behavior criterion 2 1 kV behavior criterion 2 140 dBuV in the frequency range 0.15 ... 80 MHz, behavior criterion 1	
<b>field-based interference according to IEC 61000-4-3</b>	80 MHz ... 1 GHz 10 V/m, behavior criterion 1	
<b>electrostatic discharge according to IEC 61000-4-2</b>	4 kV contact discharging / 8 kV air discharging, behavior criterion 2	
<b>conducted HF interference emissions according to CISPR11</b>	Class A for industrial environment	
<b>field-bound HF interference emission according to CISPR11</b>	Class B for the domestic, business and commercial environments	
<b>Short-circuit protection, design of the fuse link</b>		
manufacturer's article number <ul style="list-style-type: none"> <li>• of gS fuse for semiconductor protection at NH design usable</li> <li>• of full range R fuse link for semiconductor protection at cylindrical design usable</li> <li>• of back-up R fuse link for semiconductor protection at NH design usable</li> <li>• of back-up R fuse link for semiconductor protection at cylindrical design 14 x 51 mm usable</li> <li>• of back-up R fuse link for semiconductor protection at cylindrical design 22 x 58 mm usable</li> </ul>	<a href="#">3NE1802-0</a> <a href="#">5SE1350</a> <a href="#">3NE8017-1</a> <a href="#">3NC1450</a> <a href="#">3NC2280</a>	
manufacturer's article number of the gG fuse <ul style="list-style-type: none"> <li>• at cylindrical design 14 x 51 mm usable</li> <li>• at cylindrical design 22 x 58 mm usable</li> </ul>	<a href="#">3NW6112-1: These fuses have a smaller rated current than the semiconductor relays</a> <a href="#">3NW6212-1: These fuses have a smaller rated current than the semiconductor relays</a>	
manufacturer's article number <ul style="list-style-type: none"> <li>• of DIAZED fuse usable</li> <li>• of NEOZED fuse usable</li> </ul>	<a href="#">5SB4111: These fuses have a smaller rated current than the semiconductor relays</a> <a href="#">5SE2335: These fuses have a smaller rated current than the semiconductor relays</a>	
<b>Approvals Certificates</b>		
<b>General Product Approval</b>	<b>EMV</b>	<b>Test Certificates</b>



[Type Test Certificates/Test Report](#)

Test Certificates	other	Railway	Environment
-------------------	-------	---------	-------------

[Special Test Certificate](#)

[Confirmation](#)



[Special Test Certificate](#)

[Environmental Confirmations](#)

**Further information**

**Information on the packaging**

<https://support.industry.siemens.com/cs/ww/en/view/109813875>

**Information for data generation and storage**

<https://support.industry.siemens.com/cs/ww/en/view/109995012>

**Information- and Downloadcenter (Catalogs, Brochures,...)**

<https://www.siemens.com/ic10>

**Industry Mall (Online ordering system)**

<https://mall.industry.siemens.com/mall/en/en/Catalog/product?mlfb=3RF2340-1DA04-0KN0>

**Cax online generator**

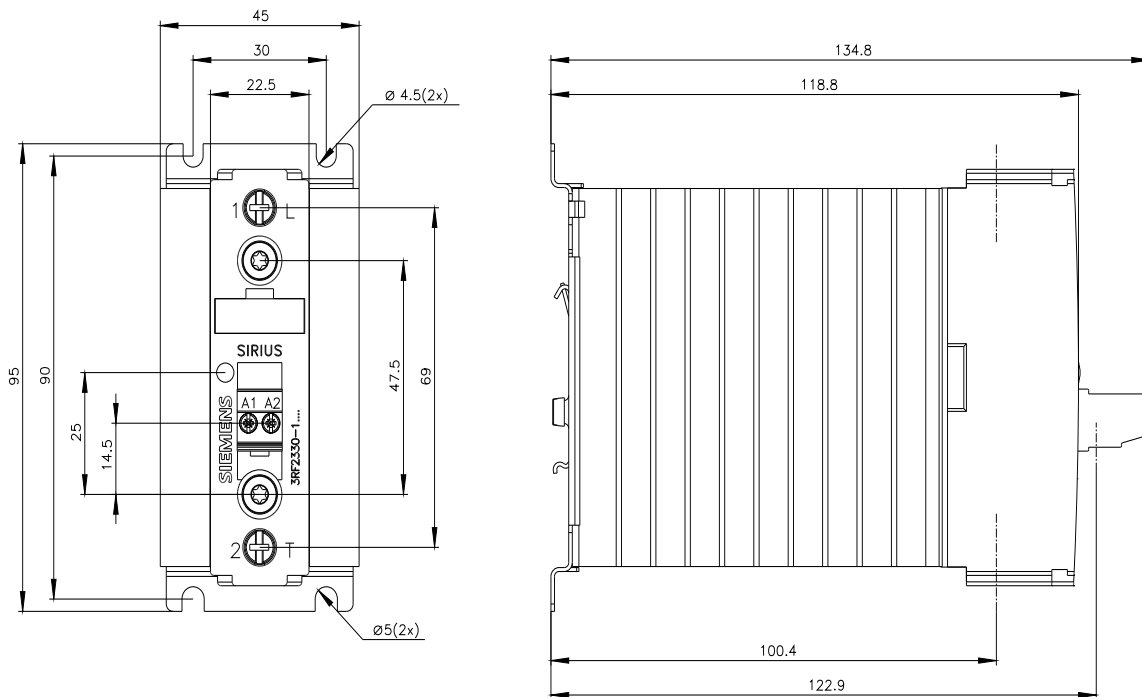
<https://support.automation.siemens.com/WW/CAXorder/default.aspx?lang=en&mlfb=3RF2340-1DA04-0KN0>

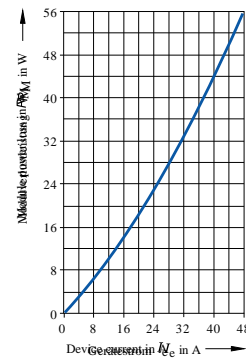
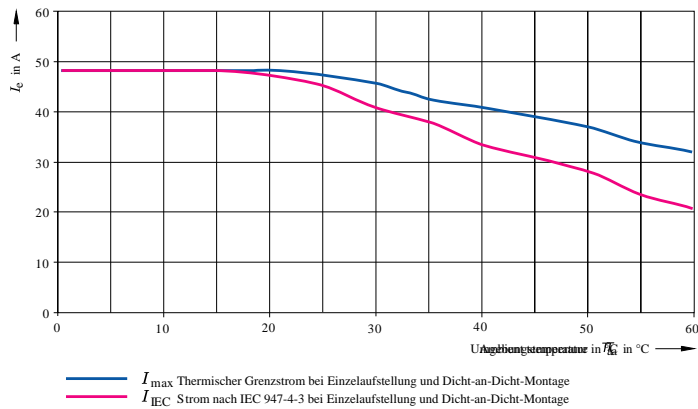
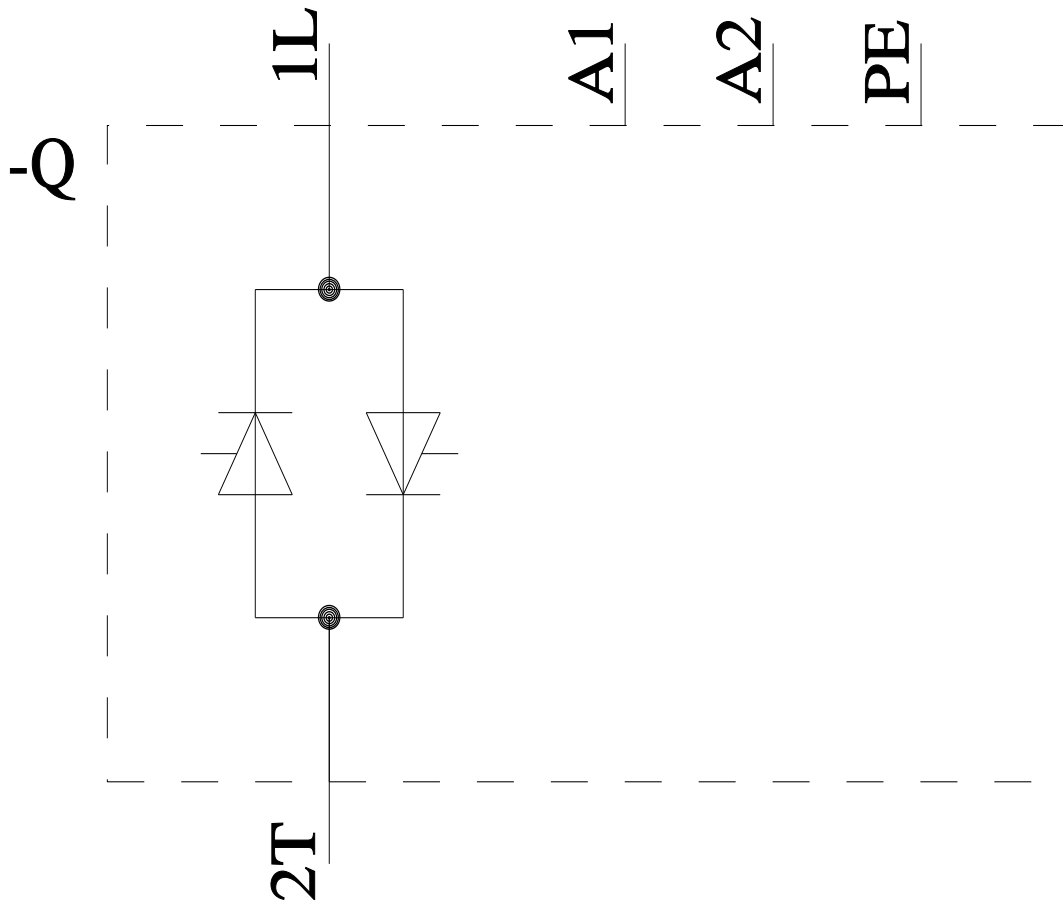
**Service&Support (Manuals, Certificates, Characteristics, FAQs,...)**

<https://support.industry.siemens.com/cs/ww/en/ps/3RF2340-1DA04-0KN0>

**Image database (product images, 2D dimension drawings, 3D models, device circuit diagrams, EPLAN macros, ...)**

[https://www.automation.siemens.com/bilddb/cax\\_de.aspx?mlfb=3RF2340-1DA04-0KN0&lang=en](https://www.automation.siemens.com/bilddb/cax_de.aspx?mlfb=3RF2340-1DA04-0KN0&lang=en)





last modified:

5/19/2025