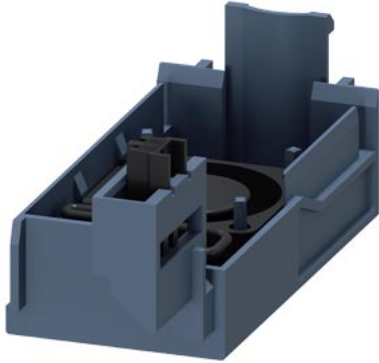


SIMATIC ET 200SP e-Starter fan unit with 1 fan



product brand name	SIMATIC	
product designation	Ventilation unit	
product type designation	ET 200SP	
General technical data		
protection class IP on the front according to IEC 60529	IP20	
Substance Prohibittance (Date)	10/01/2024	
Weight	0.023 kg	
Electrical Safety		
protection class IP on the front according to IEC 60529	IP20	
touch protection on the front according to IEC 60529	finger-safe	
Installation/ mounting/ dimensions		
fastening method	snap-on mounting	
height	80.7 mm	
width	30 mm	
depth	31.4 mm	
Approvals Certificates		
General Product Approval	Maritime application	other



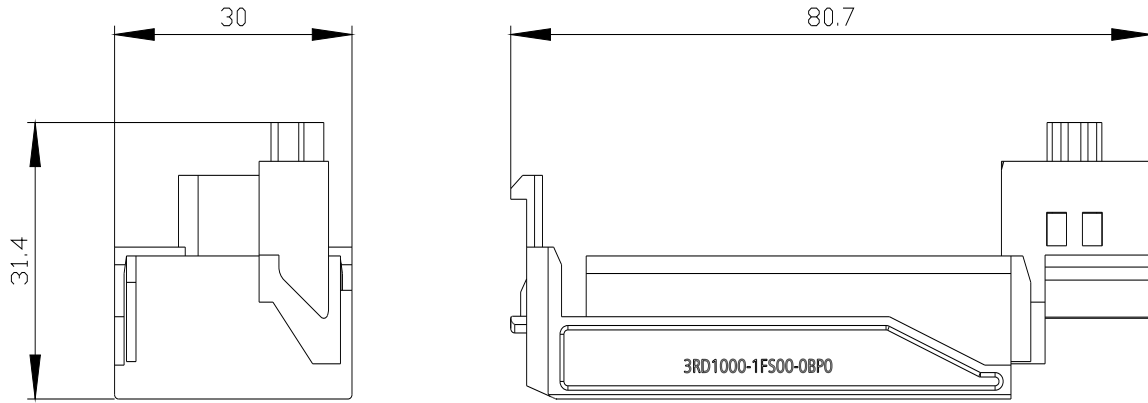
[Confirmation](#)

Environment



Further information

- Information on the packaging
<https://support.industry.siemens.com/cs/ww/en/view/109813875>
- Information for data generation and storage
<https://support.industry.siemens.com/cs/ww/en/view/109995012>
- Information- and Downloadcenter (Catalogs, Brochures,...)
<https://www.siemens.com/ic10>
- Industry Mall (Online ordering system)
<https://mall.industry.siemens.com/mall/en/en/Catalog/product?mlfb=3RD1000-1FS00-0BP0>
- Cax online generator
<https://support.automation.siemens.com/WW/CAXorder/default.aspx?lang=en&mlfb=3RD1000-1FS00-0BP0>
- Service&Support (Manuals, Certificates, Characteristics, FAQs,...)



last modified:

4/4/2025 