



intelligent load feeder reversing starter high feature 3.5-32 A up to 690 V AC type of coordination 2 frame size S0 for ET 200SP system consisting of 3RC7141-4EE11, 3RV2321-4EC20, 2x 3RT2027-2BB40

product brand name	SIRIUS
product designation	Intelligent load feeder
design of the product	reversing starter high feature
product type designation	3RA8
manufacturer's article number	
<ul style="list-style-type: none"> • of the supplied contactor • of the supplied circuit-breakers • of the supplied RH assembly kit • of the supplied link module • of the supplied DIN-rail adapter 	3RT2027-2BB40 3RV2321-4EC20 3RA2923-2LB2 3RC7141-4EE11 3RA2922-1AA00
General technical data	
number of monitored phases	3
suitability for use	
<ul style="list-style-type: none"> • direct starter • reversing starter • star-delta starter 	No Yes No
product function external reset	Yes
product component RESET button	Yes
design of the overcurrent release	electronic
size of the circuit-breaker	S0
size of load feeder	S0
size of contactor can be combined company-specific	S0
product function	
<ul style="list-style-type: none"> • remote firmware update • disconnecter functionality • for power supply reverse polarity protection 	Yes Yes Yes
power loss [W] for rated value of the current at AC in hot operating state per pole	6.7 W
insulation voltage	
<ul style="list-style-type: none"> • rated value • for overvoltage category III according to IEC 60664 with degree of pollution 2 rated value 	690 V 690 V
degree of pollution	3
overvoltage category	3
surge voltage resistance rated value	6 kV
protection class IP	
<ul style="list-style-type: none"> • on the front • of the terminal 	IP20 IP20
shock resistance according to IEC 60068-2-27	6g / 11,0 ms (3 shocks); 10g / 6,0 ms (1000 shocks)
vibration resistance	5-8,4 Hz, 3,5 mm; 8,4-150 Hz, 1 g; 10 cycles / 10-60 Hz, 0,35 mm; 60-500 Hz, 5 g; 10 cycles

type of coordination	2
reference code according to IEC 81346-2	Q
reference code according to IEC 81346-2:2019	Q
continuous current rated value	32 A
Substance Prohibittance (Date)	06/21/2024
SVHC substance name	Lead - 7439-92-1 Lead monoxide (lead oxide) - 1317-36-8 Silicic acid, lead salt - 11120-22-2 2,2',6,6'-tetrabromo-4,4'-isopropylidenediphenol - 79-94-7 Lead titanium zirconium oxide - 12626-81-2
Weight	2.679 kg
Ambient conditions	
installation altitude at height above sea level maximum	2 000 m
ambient temperature	
• during operation	-20 ... +60 °C
• during storage	-40 ... +80 °C
• during transport	-40 ... +80 °C
• with upper limit without restrictions	40 °C
environmental category during operation according to IEC 60721	3C3 (without salt spray)
relative humidity during operation	10 ... 95 %
Main circuit	
number of poles for main current circuit	3
design of the switching contact	electromechanical
adjustable current response value current of the current-dependent overload release	3.5 ... 32 A
type of the motor protection	solid-state
type of voltage for main current circuit	AC
utilization category according to IEC 60947-4-1	AC-3e
operating voltage	
• rated value	690 V
• at AC-3 rated value maximum	690 V
• at AC-3e rated value maximum	690 V
operating frequency rated value	50 ... 60 Hz
operational current rated value	32 A
operational current	
• at AC-3	
— at 400 V rated value	32 A
— at 440 V rated value	32 A
— at 500 V rated value	32 A
— at 690 V rated value	21 A
• at AC-3e	
— at 400 V rated value	32 A
— at 440 V rated value	32 A
— at 500 V rated value	32 A
— at 690 V rated value	21 A
operating power	
• at AC-3	
— at 400 V rated value	15 000 W
— at 500 V rated value	15 000 W
— at 690 V rated value	18 500 W
• at AC-3e	
— at 400 V rated value	15 000 W
— at 500 V rated value	15 000 W
— at 690 V rated value	18 500 W
Control circuit/ Control	
type of voltage of the control supply voltage	DC
closing delay at DC	50 ... 170 ms
opening delay at DC	30 ... 50 ms
Auxiliary circuit	
product component auxiliary switch	No
product extension auxiliary switch	Yes

type of voltage for auxiliary and control circuit	DC
auxiliary voltage at DC rated value	24 V
auxiliary voltage at DC rated value	20.4 ... 28.8 V
inrush current peak for auxiliary voltage at DC at 24 V	2.5 A
duration of inrush current peak for auxiliary voltage at DC at 24 V	1 ms
power loss [W] at the auxiliary voltage in holding operation at DC at 24 V	1.3 W

Protective and monitoring functions

type of protection function of the overcurrent release	electronic
product function	
<ul style="list-style-type: none"> ● ground fault detection ● phase failure detection ● phase sequence recognition ● overcurrent detection 1 phase ● undercurrent detection 3 phases ● undercurrent monitoring ● overcurrent and undercurrent monitoring ● undercurrent detection 1 phase ● overcurrent detection 3 phase ● overload protection ● overload warning ● temperature-compensated overload protection ● motor protection ● active current monitoring ● main switches with supply disconnect function and EM-STOP switches ● operating hours counter 	<ul style="list-style-type: none"> No Yes Yes Yes Yes Yes Yes Yes Yes Yes Yes Yes No Yes No No Yes
trip class	CLASS 10E / CLASS 20E
design of the overload release	electronic
response value current of instantaneous short-circuit trip unit	400 A

UL/CSA ratings

conditional short-circuit current (I_q) with type of coordination 1	
<ul style="list-style-type: none"> ● at 480 AC Y/277 V rated value ● at AC 600 Y/347 V rated value 	<ul style="list-style-type: none"> 50 000 A 30 000 A
operating voltage	
<ul style="list-style-type: none"> ● according to UL 60947 rated value ● at AC at 60 Hz according to CSA and UL rated value 	<ul style="list-style-type: none"> 480 V 480 V

Short-circuit protection

product function short circuit protection	Yes
design of the short-circuit trip	magnetic
conditional short-circuit current (I_q)	
<ul style="list-style-type: none"> ● at 690 V according to IEC 60947-4-1 rated value ● at 400 V according to IEC 60947-4-1 rated value ● at 440 V according to IEC 60947-4-1 rated value ● at 500 V according to IEC 60947-4-1 rated value 	<ul style="list-style-type: none"> 1 000 A 150 000 A 100 000 A 70 000 A
conditional short-circuit current (I_q) with type of coordination 2	
<ul style="list-style-type: none"> ● at 230 V rated value ● at 400 V rated value 	<ul style="list-style-type: none"> 150 000 A 150 000 A
certificate of suitability ATEX	No

Installation/ mounting/ dimensions

mounting position	vertical, on horizontal standard mounting rail
fastening method	screw and snap-on mounting onto 35 mm DIN rail
<ul style="list-style-type: none"> ● mounting rail 	Yes
height	269 mm
width	90 mm
depth	174 mm
required spacing	
<ul style="list-style-type: none"> ● for grounded parts at 400 V — downwards 	10 mm

— upwards	30 mm
— backwards	0 mm
— at the side	9 mm
— forwards	0 mm
● for live parts at 400 V	
— downwards	10 mm
— upwards	30 mm
— backwards	0 mm
— at the side	9 mm
— forwards	0 mm
● for grounded parts at 500 V	
— downwards	10 mm
— upwards	30 mm
— backwards	0 mm
— at the side	20 mm
— forwards	0 mm
● for live parts at 500 V	
— downwards	10 mm
— upwards	30 mm
— backwards	0 mm
— at the side	20 mm
— forwards	0 mm
● for grounded parts at 690 V	
— downwards	10 mm
— upwards	80 mm
— at the side	20 mm
— forwards	0 mm
● for live parts at 690 V	
— downwards	10 mm
— upwards	80 mm
— at the side	20 mm
— forwards	0 mm

Connections/ Terminals

product component removable terminal for auxiliary and control circuit	No
type of electrical connection	
● for main current circuit	spring-loaded terminals
● for auxiliary and control circuit	spring-loaded terminals (push-in)
type of electrical connection for supply voltage line-side	spring-loaded terminals (push-in)
type of connectable conductor cross-sections	
● for main contacts	
— solid	2x (1 ... 10 mm ²)
— stranded	2x (1 ... 10 mm ²)
— finely stranded with core end processing	2x (1 ... 6 mm ²)
● for AWG cables for main contacts	2x 18 ... 8
connectable conductor cross-section for main contacts	
● solid	1 ... 10 mm ²
● stranded	1 ... 10 mm ²
● finely stranded with core end processing	1 ... 6 mm ²
type of connectable conductor cross-sections at the inputs for supply voltage	
● solid	0.2 ... 1.5 mm ²
● finely stranded without core end processing	0.2 ... 1.5 mm ²
● finely stranded with core end processing	0.2 ... 1.0 mm ²
type of connectable conductor cross-sections at the inputs for supply voltage for AWG cables solid	24 ... 16
Electrical Safety	
touch protection against electrical shock	IP20
touch protection on the front according to IEC 60529	finger-safe
Communication/ Protocol	
protocol is supported other protocols	Yes

product function bus communication	Yes
product function control circuit interface with IO link	No
product function control circuit interface with AS-interface	No
data volume	
• of the address range of the inputs with cyclical transfer total	16 byte
• of the address range of the outputs with cyclical transfer total	2 byte
address space memory of address range	
• of the inputs	16 byte
• of the outputs	2 byte
type of electrical connection of the communication interface	RJ45





Electromagnetic compatibility

conducted interference	
• due to burst according to IEC 61000-4-4	2 kV
• due to conductor-earth surge according to IEC 61000-4-5	2 kV
• due to conductor-conductor surge according to IEC 61000-4-5	1 kV
• due to high-frequency radiation according to IEC 61000-4-6	10 V
field-based interference according to IEC 61000-4-3	10 V/m
electrostatic discharge according to IEC 61000-4-2	8 kV air discharge
conducted HF interference emissions according to CISPR11	Class A for industrial environment
field-bound HF interference emission according to CISPR11	Class A for industrial environment

Supply voltage

type of voltage of the supply voltage	DC
supply voltage 1 at DC rated value	
• minimum permissible	19.2 V
• maximum permissible	28.8 V
auxiliary voltage at DC rated value	20.4 ... 28.8 V
supply voltage at DC rated value	24 V
inrush current peak with supply voltage at DC at 24 V	1.25 A
duration of inrush current peak with supply voltage at DC at 24 V	5 ms
power loss [W] at supply voltage at DC at 24 V	0.5 W

Approvals Certificates

General Product Approval	EMV	Test Certificates	other
 EG-Konf.		 UL	 RCM
		Type Test Certificates/Test Report	Confirmation

other	Environment
	Environmental Conformations

Further information

Information on the packaging
<https://support.industry.siemens.com/cs/ww/en/view/109813875>
Information for data generation and storage
<https://support.industry.siemens.com/cs/ww/en/view/109995012>
Information- and Downloadcenter (Catalogs, Brochures,...)
<https://www.siemens.com/ic10>
Industry Mall (Online ordering system)
<https://mall.industry.siemens.com/mall/en/en/Catalog/product?mlfb=3RA8522-4EE10>
Cax online generator
<https://support.automation.siemens.com/WW/CAXorder/default.aspx?lang=en&mlfb=3RA8522-4EE10>
Service&Support (Manuals, Certificates, Characteristics, FAQs,...)
<https://support.industry.siemens.com/cs/ww/en/ps/3RA8522-4EE10>
Image database (product images, 2D dimension drawings, 3D models, device circuit diagrams, EPLAN macros, ...)

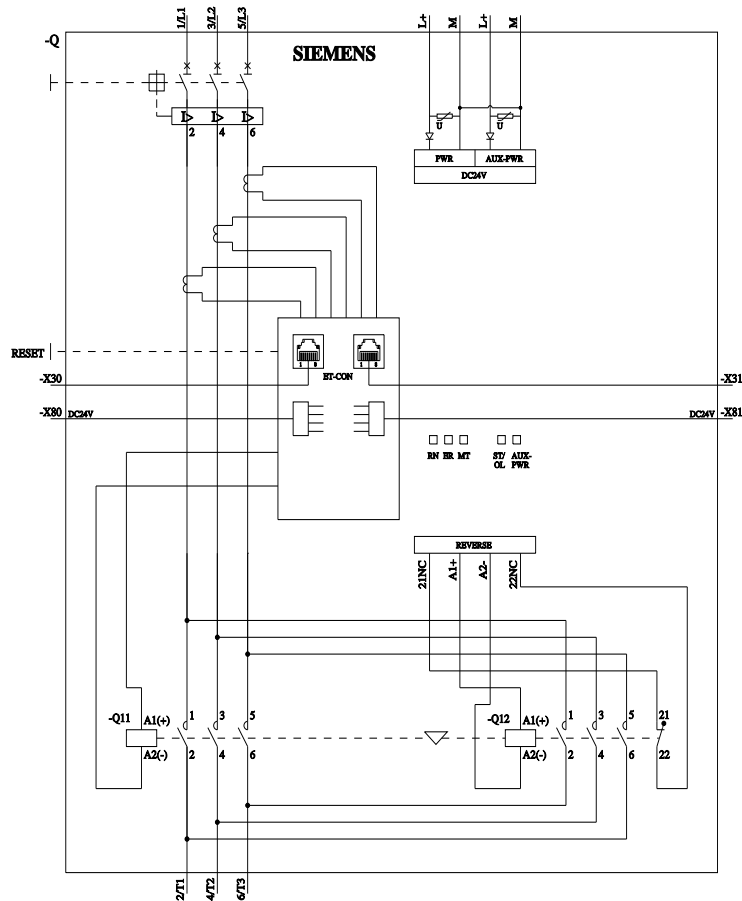
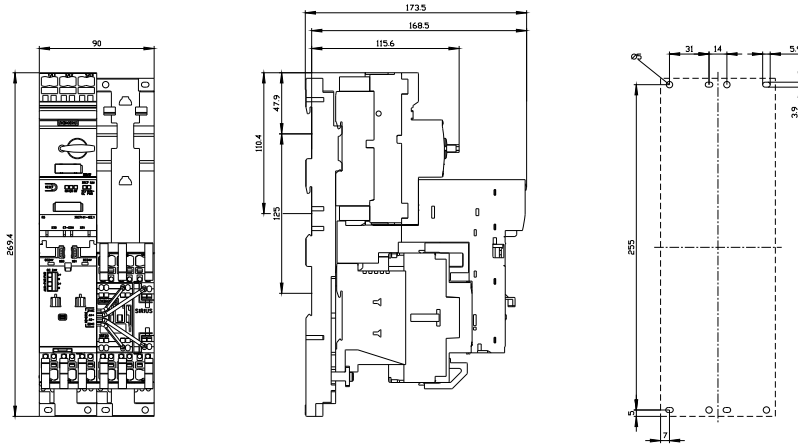
https://www.automation.siemens.com/bilddb/cax_de.aspx?mlfb=3RA8522-4EE10&lang=en

Characteristic: Tripping characteristics, I_t, Let-through current

<https://support.industry.siemens.com/cs/ww/en/ps/3RA8522-4EE10/char>

Further characteristics (e.g. electrical endurance, switching frequency)

<https://www.automation.siemens.com/bilddb/index.aspx?view=Search&mlfb=3RA8522-4EE10&objecttype=14&gridview=view1>



last modified:

8/14/2025