

Control kit

| General technical data                 |     |                    |
|--|-----|--------------------|
| product brand name                     |     | SIRIUS             |
| product designation                    |     | control kit        |
| relative humidity during operation     | %   | 10 ... 90          |
| ambient temperature                    |     |                    |
| • during transport                     | °C  | -55 ... +80        |
| • during storage                       | °C  | -55 ... +80        |
| • during operation                     | °C  | -20 ... +60        |
| reference code according to EN 61346-2 |     | K                  |
| Installation/ mounting/ dimensions     |     |                    |
| width                                  | mm  | 44.8               |
| height                                 | mm  | 40                 |
| depth                                  | mm  | 23.4               |
| Certificates/ approvals                |     |                    |
| certificate of suitability             |     | IEC / EN 60947-6-2 |
| General Product Approval               | EMV | other              |



[Confirmation](#)

## Environment

[Environmental Confirmations](#)

## Further information

### Information on the packaging

<https://support.industry.siemens.com/cs/ww/en/view/109813875>

### Information for data generation and storage

<https://support.industry.siemens.com/cs/ww/en/view/109995012>

### Information- and Downloadcenter (Catalogs, Brochures,...)

<https://www.siemens.com/ic10>

### Industry Mall (Online ordering system)

<https://mall.industry.siemens.com/mall/en/en/Catalog/product?mlfb=3RA6950-0A>

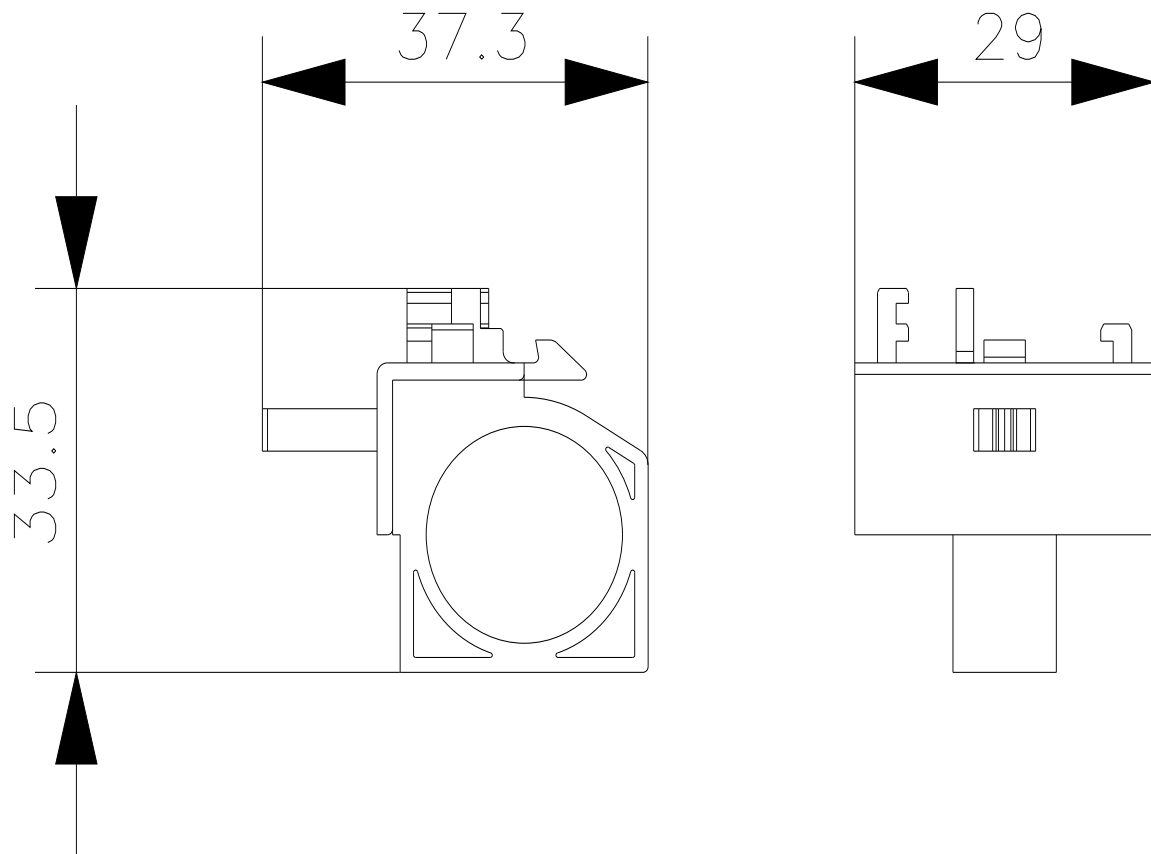
### Cax online generator

<https://support.automation.siemens.com/WW/CAXorder/default.aspx?lang=en&mlfb=3RA6950-0A>

### Service&Support (Manuals, Certificates, Characteristics, FAQs,...)

<https://support.industry.siemens.com/cs/ww/en/ps/3RA6950-0A>

Image database (product images, 2D dimension drawings, 3D models, device circuit diagrams, EPLAN macros, ...)



last modified:

4/2/2025 