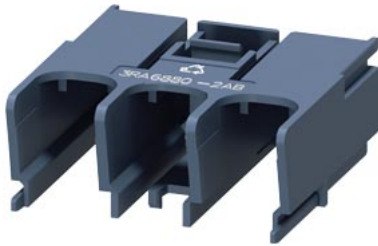


Terminal covers (2 units) for 3-phase infeed 25/35 mm² 3RA6812-8AB/AC 1 bag contains 2 covers



General technical data		
product brand name		SIRIUS
product designation		Terminal cover screw-type infeeds
protection class IP on the front according to IEC 60529		IP00
degree of pollution		3
installation altitude at height above sea level maximum	m	2 000
ambient temperature		
• during transport	°C	-55 ... +80
• during storage	°C	-55 ... +80
• during operation	°C	-20 ... +60
vibration resistance		f = 4 to 5.8 Hz; d = 15 mm; f = 5.8 to 500 Hz; a = 2 m / s ² 10 cycles
shock resistance		Semi-sinusoidal a = 6 m/s ² at 10 ms; 3 pos. and 3 neg. Shock in all axes
Installation/ mounting/ dimensions		
fastening method		snap-on mounting
width	mm	45
height	mm	45
depth	mm	18
Certificates/ approvals		
General Product Approval	EMV	other



[Confirmation](#)

Environment

[Environmental Confirmations](#)

Further information

Information on the packaging
<https://support.industry.siemens.com/cs/ww/en/view/109813875>
 Information for data generation and storage
<https://support.industry.siemens.com/cs/ww/en/view/109995012>
 Information- and Downloadcenter (Catalogs, Brochures,...)
<https://www.siemens.com/ic10>
 Industry Mall (Online ordering system)

<https://mall.industry.siemens.com/mall/en/en/Catalog/product?mlfb=3RA6880-2AB>

Cax online generator

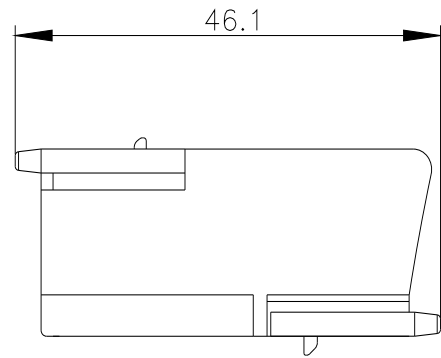
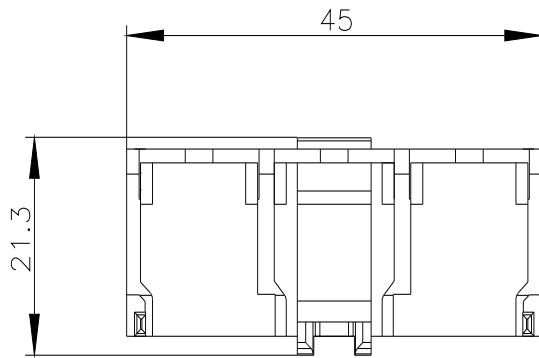
<https://support.automation.siemens.com/WW/CAXorder/default.aspx?lang=en&mlfb=3RA6880-2AB>

Service&Support (Manuals, Certificates, Characteristics, FAQs,...)

<https://support.industry.siemens.com/cs/ww/en/ps/3RA6880-2AB>

Image database (product images, 2D dimension drawings, 3D models, device circuit diagrams, EPLAN macros, ...)

https://www.automation.siemens.com/bilddb/cax_de.aspx?mlfb=3RA6880-2AB&lang=en



last modified:

4/2/2025 