

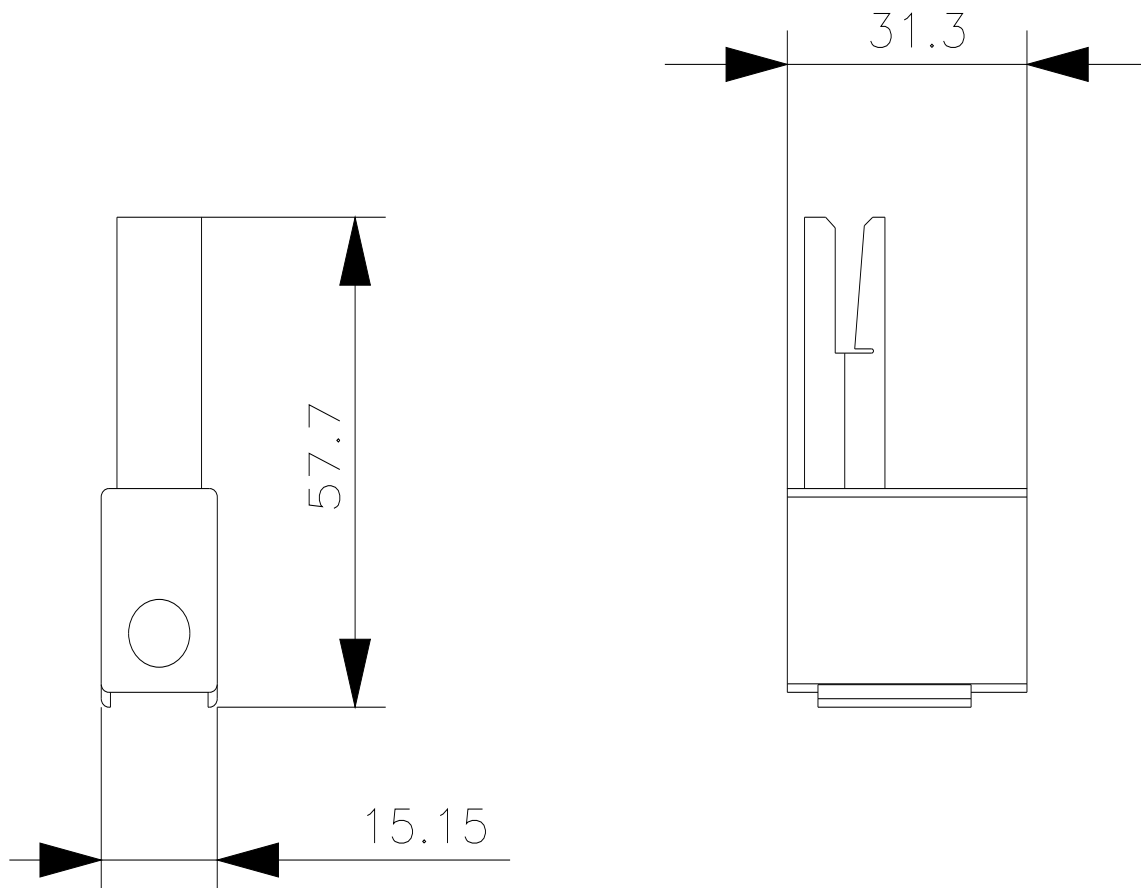


PE tap Connection main circuit: screw terminal

General technical data		
product brand name		SIRIUS
product designation		PE pick-up
protection class IP on the front according to IEC 60529		IP00
degree of pollution		3
installation altitude at height above sea level maximum	m	2 000
ambient temperature		
• during transport	°C	-55 ... +80
• during storage	°C	-55 ... +80
• during operation	°C	-20 ... +60
vibration resistance		f = 4 to 5.8 Hz; d = 15 mm; f = 5.8 to 500 Hz; a = 2 m / s <sup>2</sup> 10 cycles
shock resistance		Semi-sinusoidal a = 6 m/s <sup>2</sup> at 10 ms; 3 pos. and 3 neg. Shock in all axes
reference code		
• according to IEC 81346-2		X
• according to EN 61346-2		X
Main circuit		
operational current at AC at 400 V rated value	A	63
Installation/ mounting/ dimensions		
fastening method		plug-in fixing
width	mm	15
height	mm	60
depth	mm	32
Connections/ Terminals		
type of electrical connection for main current circuit		screw-type terminals
design of screw-type connection for main contacts		M3
stripped length for main contacts	mm	10
tightening torque for main contacts with screw-type terminals	N·m	2 ... 2.5
type of connectable conductor cross-sections for AWG cables		
• for main contacts for load-side outgoing feeder		2 x (16 ... 10), 1 x (16 ... 8)
Certificates/ approvals		
General Product Approval	EMV	Test Certificates



[Type Test Certificates/Test Report](#)

[Confirmation](#)[Environmental Con-  
firmations](#)**Further information****Information on the packaging**<https://support.industry.siemens.com/cs/ww/en/view/109813875>**Information for data generation and storage**<https://support.industry.siemens.com/cs/ww/en/view/109995012>**Information- and Downloadcenter (Catalogs, Brochures,...)**<https://www.siemens.com/ic10>**Industry Mall (Online ordering system)**<https://mall.industry.siemens.com/mall/en/en/Catalog/product?mlfb=3RA6870-4AB>**Cax online generator**<https://support.automation.siemens.com/WW/CAXorder/default.aspx?lang=en&mlfb=3RA6870-4AB>**Service&Support (Manuals, Certificates, Characteristics, FAQs,...)**<https://support.industry.siemens.com/cs/ww/en/ps/3RA6870-4AB>**Image database (product images, 2D dimension drawings, 3D models, device circuit diagrams, EPLAN macros, ...)**[https://www.automation.siemens.com/bilddb/cax\\_de.aspx?mlfb=3RA6870-4AB&lang=en](https://www.automation.siemens.com/bilddb/cax_de.aspx?mlfb=3RA6870-4AB&lang=en)

last modified:

4/2/2025