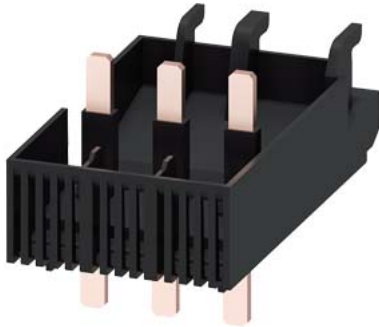


Link module Electrical and mechanical for 3RV2.3 and 3RT2.3. and soft starter 3RW303/3RW403 (individual unit packaging)



product brand name	SIRIUS
product category	Wiring modules, connectors and kits
product designation	link module
product type designation	3RA29

General technical data	
product component bottom wiring module	No
product component top wiring module	No
size of the circuit-breaker	S2
size of contactor	S2
Substance Prohibittance (Date)	03/01/2017
Weight	100 g
number of poles	3

Installation/ mounting/ dimensions	
fastening method	screw fixing

Approvals Certificates		
General Product Approval	Test Certificates	Maritime application



[Type Test Certificates/Test Report](#)

[Special Test Certificate](#)



### Maritime application



other	Railway	Environment
-------	---------	-------------



[Confirmation](#)

[Special Test Certificate](#)

[Environmental Confirmations](#)

### Further information

Information on the packaging  
<https://support.industry.siemens.com/cs/ww/en/view/109813875>  
 Information for data generation and storage

<https://support.industry.siemens.com/cs/ww/en/view/109995012>

Information- and Downloadcenter (Catalogs, Brochures,...)

<https://www.siemens.com/ic10>

Industry Mall (Online ordering system)

<https://mall.industry.siemens.com/mall/en/en/Catalog/product?mlfb=3RA2931-1AA00>

Cax online generator

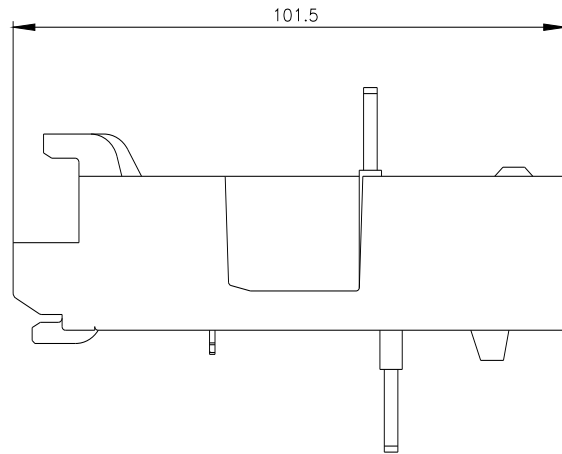
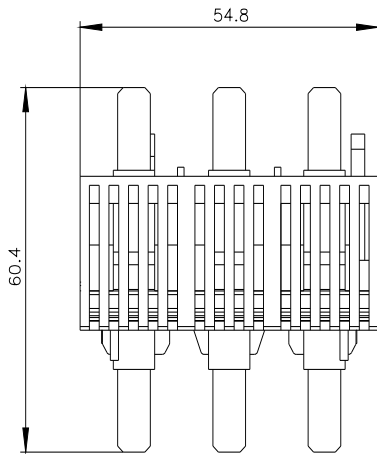
<https://support.automation.siemens.com/WW/CAXorder/default.aspx?lang=en&mlfb=3RA2931-1AA00>

Service&Support (Manuals, Certificates, Characteristics, FAQs,...)

<https://support.industry.siemens.com/cs/ww/en/ps/3RA2931-1AA00>

Image database (product images, 2D dimension drawings, 3D models, device circuit diagrams, EPLAN macros, ...)

[https://www.automation.siemens.com/bilddb/cax\\_de.aspx?mlfb=3RA2931-1AA00&lang=en](https://www.automation.siemens.com/bilddb/cax_de.aspx?mlfb=3RA2931-1AA00&lang=en)



---

last modified:

4/2/2025 