

Wiring module bottom for contactor assembly size S0 without gap between the Contactors, Spring-type terminal



product brand name	SIRIUS
product category	Wiring modules, connectors and kits
product designation	Wiring kit
design of the product	Reversing contactor assembly botton, S0, spring-loaded terminal
product type designation	3RA29
General technical data	
size of contactor	S0
Substance Prohibittance (Date)	07/01/2006
Weight	0.044 kg
number of poles	3

Approvals Certificates	
General Product Approval	Maritime application



EG-Konf.



ABS



BUREAU VERITAS



LRS

Maritime application	other	Environment
----------------------	-------	-------------



PRS



RINA



RMRS



产品合格
QC PASS

[Confirmation](#)

[Environmental Confirmations](#)

Further information

Information on the packaging

<https://support.industry.siemens.com/cs/ww/en/view/109813875>

Information for data generation and storage

<https://support.industry.siemens.com/cs/ww/en/view/109995012>

Information- and Downloadcenter (Catalogs, Brochures,...)

<https://www.siemens.com/ic10>

Industry Mall (Online ordering system)

<https://mall.industry.siemens.com/mall/en/en/Catalog/product?mlfb=3RA2923-3EA2>

Cax online generator

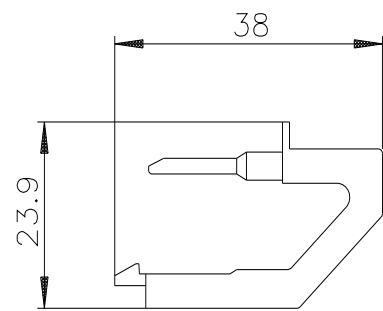
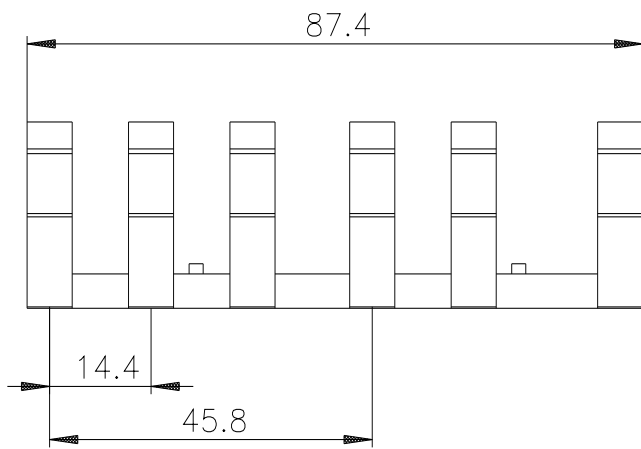
<https://support.automation.siemens.com/WW/CAXorder/default.aspx?lang=en&mlfb=3RA2923-3EA2>

Service&Support (Manuals, Certificates, Characteristics, FAQs,...)

<https://support.industry.siemens.com/cs/ww/en/ps/3RA2923-3EA2>

Image database (product images, 2D dimension drawings, 3D models, device circuit diagrams, EPLAN macros, ...)

https://www.automation.siemens.com/bilddb/cax_de.aspx?mlfb=3RA2923-3EA2&lang=en



last modified:

4/2/2025 