

module connector, 9 cm, 14-pole, for function modules 3RA27 and 3RA2816-0EW20



product brand name	SIRIUS
product category	Connecting cables
product designation	Module connector
design of the product	14-pole for various size jumps/space combinations
product type designation	3RA27

General technical data

Substance Prohibitation (Date)	04/30/2014
Weight	0.014 kg

Ambient conditions

ambient temperature	
<ul style="list-style-type: none"> during operation during storage 	<p>-25 ... +60 °C</p> <p>-50 ... +80 °C</p>

Installation/ mounting/ dimensions

height	108 mm
width	22 mm
depth	11 mm

Approvals Certificates

General Product Approval	Test Certificates	Maritime application
--------------------------	-------------------	----------------------



[Manufacturer Declaration](#)



[Type Test Certificates/Test Report](#)



Maritime application



other Environment



[Confirmation](#)

[Environmental Confirmations](#)

Further information

Information on the packaging

<https://support.industry.siemens.com/cs/ww/en/view/109813875>

Information for data generation and storage

<https://support.industry.siemens.com/cs/ww/en/view/109995012>

Information- and Downloadcenter (Catalogs, Brochures,...)

<https://www.siemens.com/ic10>

Industry Mall (Online ordering system)

<https://mall.industry.siemens.com/mall/en/en/Catalog/product?mlfb=3RA2711-0EE06>

Cax online generator

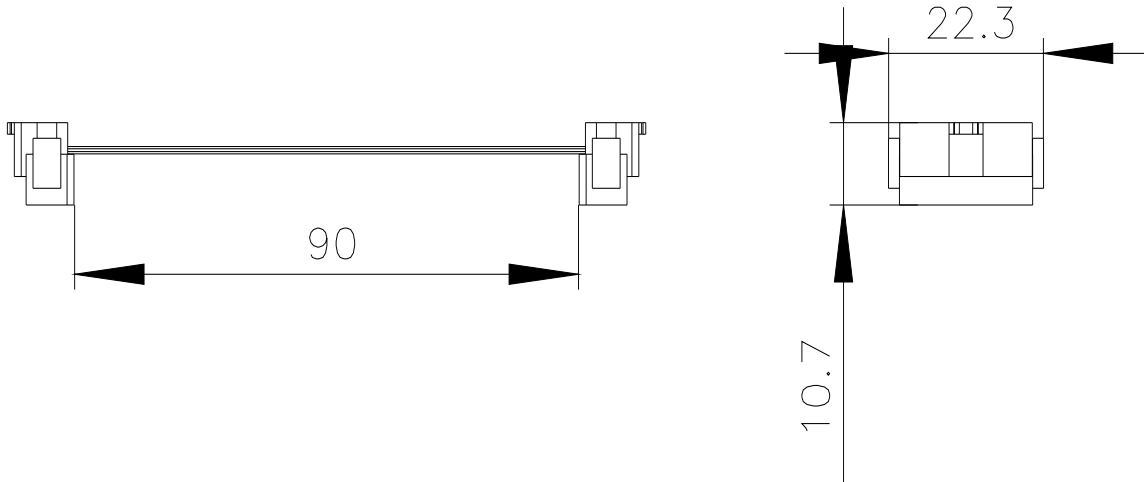
<https://support.automation.siemens.com/WW/CAXorder/default.aspx?lang=en&mlfb=3RA2711-0EE06>

Service&Support (Manuals, Certificates, Characteristics, FAQs,...)

<https://support.industry.siemens.com/cs/ww/en/ps/3RA2711-0EE06>

Image database (product images, 2D dimension drawings, 3D models, device circuit diagrams, EPLAN macros, ...)

https://www.automation.siemens.com/bilddb/cax_de.aspx?mlfb=3RA2711-0EE06&lang=en



last modified:

11/11/2025 