

Contactor assembly for star-delta (wye-delta) start AC-3, 55 kW/400 V 20-33 V AC/DC Size S3, screw terminal electrical and mechanical interlock 3 NO+3 NC, integrated varistor



<b>product brand name</b>	SIRIUS
<b>product designation</b>	Contactor assembly for star-delta (wye-delta) start
<b>product type designation</b>	3RA24
<b>manufacturer's article number</b>	
<ul style="list-style-type: none"> <li>• 1 of the supplied contactor</li> <li>• 2 of the supplied contactor</li> <li>• 3 of the supplied contactor</li> <li>• of the supplied RS assembly kit</li> <li>• of the supplied function module for wye-delta circuits</li> </ul>	<a href="#">3RT2045-1NB30</a> <a href="#">3RT2045-1NB30</a> <a href="#">3RT2035-1NB30</a> <a href="#">3RA2943-2C</a> <a href="#">3RA2816-0EW20</a>
<b>General technical data</b>	
<b>size of contactor</b>	S3
product extension auxiliary switch	No
<b>shock resistance at rectangular impulse</b>	
<ul style="list-style-type: none"> <li>• at AC</li> <li>• at DC</li> </ul>	6.7 g / 5 ms, 4.0 g / 10 ms 6.7 g / 5 ms, 4g / 10 ms
<b>shock resistance with sine pulse</b>	
<ul style="list-style-type: none"> <li>• at AC</li> <li>• at DC</li> </ul>	10.6 g / 5 ms, 6.3 g / 10 ms 10.6 g / 5 ms, 6.3 g / 10 ms
<b>mechanical service life (operating cycles)</b>	
<ul style="list-style-type: none"> <li>• of contactor typical</li> <li>• of the contactor with added auxiliary switch block typical</li> </ul>	10 000 000 10 000 000
<b>reference code according to IEC 81346-2</b>	Q
<b>Substance Prohibition (Date)</b>	03/01/2017
<b>SVHC substance name</b>	Lead - 7439-92-1 Lead monoxide (lead oxide) - 1317-36-8 2,2',6,6'-tetrabromo-4,4'-isopropylidenediphenol - 79-94-7 6,6'-di-tert-butyl-2,2'-methylenedi-p-cresol - 119-47-1 2-methyl-1-(4-methylthiophenyl)-2-morpholinopropan-1-one - 71868-10-5 Melamine - 108-78-1
<b>Weight</b>	6 kg
<b>Ambient conditions</b>	
installation altitude at height above sea level maximum	2 000 m
<b>ambient temperature</b>	
<ul style="list-style-type: none"> <li>• during operation</li> <li>• during storage</li> </ul>	-25 ... +60 °C -55 ... +80 °C
<b>Main circuit</b>	
<b>number of poles for main current circuit</b>	3
<b>number of NO contacts for main contacts</b>	3
<b>number of NC contacts for main contacts</b>	0
<b>operating voltage</b>	
<ul style="list-style-type: none"> <li>• at AC-3 rated value maximum</li> </ul>	690 V
<b>operational current</b>	

<ul style="list-style-type: none"> <li>at AC-3 <ul style="list-style-type: none"> <li>at 400 V rated value</li> </ul> </li> </ul>	115 A
<b>operating power</b>	
<ul style="list-style-type: none"> <li>at AC-3 <ul style="list-style-type: none"> <li>at 400 V rated value</li> <li>at 690 V rated value</li> </ul> </li> </ul>	55 kW 90 kW
<b>operating frequency</b>	
<ul style="list-style-type: none"> <li>at AC-3 maximum</li> </ul>	1 000 1/h
<b>Control circuit/ Control</b>	
<b>type of voltage of the control supply voltage</b>	AC/DC
<b>control supply voltage 1 at AC</b>	
<ul style="list-style-type: none"> <li>at 50 Hz</li> <li>at 60 Hz</li> </ul>	20 ... 33 V 20 ... 33 V
<b>control supply voltage 1 at DC</b>	20 ... 33 V
<b>operating range factor control supply voltage rated value of magnet coil at AC</b>	
<ul style="list-style-type: none"> <li>at 50 Hz</li> <li>at 60 Hz</li> </ul>	0.8 ... 1.1 0.85 ... 1.1
<b>design of the surge suppressor</b>	with varistor
<b>apparent pick-up power of magnet coil at AC</b>	
<ul style="list-style-type: none"> <li>at 50 Hz</li> <li>at 60 Hz</li> </ul>	328 VA 328 VA
<b>inductive power factor with closing power of the coil</b>	
<ul style="list-style-type: none"> <li>at 50 Hz</li> <li>at 60 Hz</li> </ul>	0.95 0.95
<b>apparent holding power of magnet coil at AC</b>	
<ul style="list-style-type: none"> <li>at 50 Hz</li> <li>at 60 Hz</li> </ul>	8.2 VA 8.2 VA
<b>inductive power factor with the holding power of the coil</b>	
<ul style="list-style-type: none"> <li>at 50 Hz</li> <li>at 60 Hz</li> </ul>	0.95 0.95
<b>closing power of magnet coil at DC</b>	154 W
<b>holding power of magnet coil at DC</b>	5.6 W
<b>Auxiliary circuit</b>	
<b>number of NC contacts for auxiliary contacts</b>	
<ul style="list-style-type: none"> <li>instantaneous contact</li> </ul>	3
<b>number of NO contacts for auxiliary contacts</b>	
<ul style="list-style-type: none"> <li>instantaneous contact</li> </ul>	3
<b>contact reliability of auxiliary contacts</b>	< 1 error per 100 million operating cycles
<b>UL/CSA ratings</b>	
<b>contact rating of auxiliary contacts according to UL</b>	A600 / Q600
<b>Short-circuit protection</b>	
<b>design of the fuse link</b>	
<ul style="list-style-type: none"> <li>for short-circuit protection of the main circuit <ul style="list-style-type: none"> <li>with type of coordination 1 required</li> <li>with type of coordination 2 required</li> </ul> </li> <li>for short-circuit protection of the auxiliary switch required</li> </ul>	gG NH 3NA, DIAZED 5SB, NEOZED 5SE: 250 A gG NH 3NA, DIAZED 5SB, NEOZED 5SE: 160 A fuse gG: 10 A
<b>Installation/ mounting/ dimensions</b>	
<b>mounting position</b>	+/-180° rotation possible on vertical mounting surface; can be tilted forward and backward by +/- 22.5° on vertical mounting surface
<b>fastening method</b>	screw and snap-on mounting onto 35 mm DIN rail
<b>height</b>	180 mm
<b>width</b>	220 mm
<b>depth</b>	244 mm
<b>required spacing</b>	
<ul style="list-style-type: none"> <li>with side-by-side mounting <ul style="list-style-type: none"> <li>forwards</li> <li>backwards</li> <li>upwards</li> <li>downwards</li> <li>at the side</li> </ul> </li> </ul>	10 mm 0 mm 10 mm 10 mm 10 mm

• for grounded parts	
— forwards	10 mm
— backwards	0 mm
— upwards	10 mm
— at the side	10 mm
— downwards	10 mm
• for live parts	
— forwards	10 mm
— backwards	0 mm
— upwards	10 mm
— downwards	10 mm
— at the side	10 mm

#### Connections/ Terminals

<b>type of electrical connection</b>	
• for main current circuit	screw-type terminals
• for auxiliary and control circuit	screw-type terminals
• at contactor for auxiliary contacts	Screw-type terminals
• of magnet coil	Screw-type terminals
<b>type of connectable conductor cross-sections for main contacts</b>	
• solid or stranded	2x (2.5 ... 16 mm <sup>2</sup> ), 2x (10 ... 50 mm <sup>2</sup> ), 1x (10 ... 70 mm <sup>2</sup> )
• finely stranded with core end processing	2x (2.5 ... 35 mm <sup>2</sup> ), 1x (2.5 ... 50 mm <sup>2</sup> )
• finely stranded without core end processing	2x (10 ... 35 mm <sup>2</sup> ), 1x (10 ... 50 mm <sup>2</sup> )
<b>type of connectable conductor cross-sections</b>	
• for auxiliary contacts	
— solid or stranded	2x (0.5 ... 1.5 mm <sup>2</sup> ), 2x (0.75 ... 2.5 mm <sup>2</sup> )
— finely stranded with core end processing	2x (0.5 ... 1.5 mm <sup>2</sup> ), 2x (0.75 ... 2.5 mm <sup>2</sup> )
• for AWG cables for auxiliary contacts	2x (20 ... 16), 2x (18 ... 14)

#### Safety related data

product function suitable for safety function	Yes
<b>Electrical Safety</b>	
<b>protection class IP on the front according to IEC 60529</b>	IP20
<b>touch protection on the front according to IEC 60529</b>	finger-safe, for vertical contact from the front

#### Communication/ Protocol

<b>product function bus communication</b>	No
protocol is supported AS-Interface protocol	No
product function control circuit interface with IO link	No

#### Approvals Certificates

<b>General Product Approval</b>	<b>other</b>	<b>Dangerous goods</b>
---------------------------------	--------------	------------------------



[Confirmation](#)

[Transport Information](#)

#### Environment

[Environmental Confirmations](#)

#### Further information

##### Information on the packaging

<https://support.industry.siemens.com/cs/ww/en/view/109813875>

##### Information for data generation and storage

<https://support.industry.siemens.com/cs/ww/en/view/109995012>

##### Information- and Downloadcenter (Catalogs, Brochures,...)

<https://www.siemens.com/ic10>

##### Industry Mall (Online ordering system)

<https://mall.industry.siemens.com/mall/en/en/Catalog/product?mfb=3RA2444-8XF32-1NB3>

##### Cax online generator

<https://support.automation.siemens.com/WW/CAXorder/default.aspx?lang=en&mfb=3RA2444-8XF32-1NB3>

Service&Support (Manuals, Certificates, Characteristics, FAQs,...)

<https://support.industry.siemens.com/cs/ww/en/ps/3RA2444-8XF32-1NB3>

Image database (product images, 2D dimension drawings, 3D models, device circuit diagrams, EPLAN macros, ...)

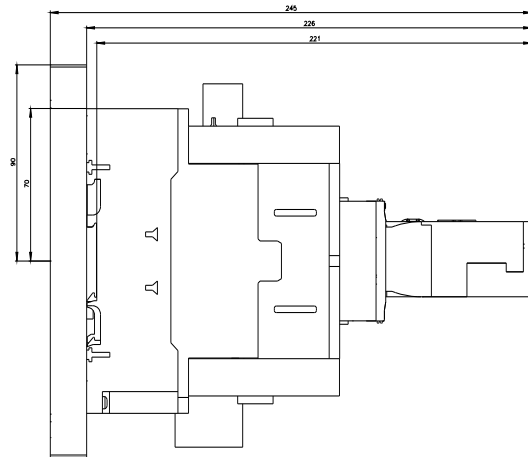
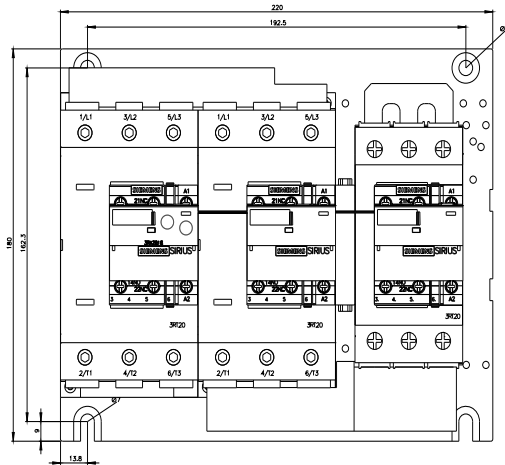
[https://www.automation.siemens.com/bilddb/cax\\_de.aspx?mlfb=3RA2444-8XF32-1NB3&lang=en](https://www.automation.siemens.com/bilddb/cax_de.aspx?mlfb=3RA2444-8XF32-1NB3&lang=en)

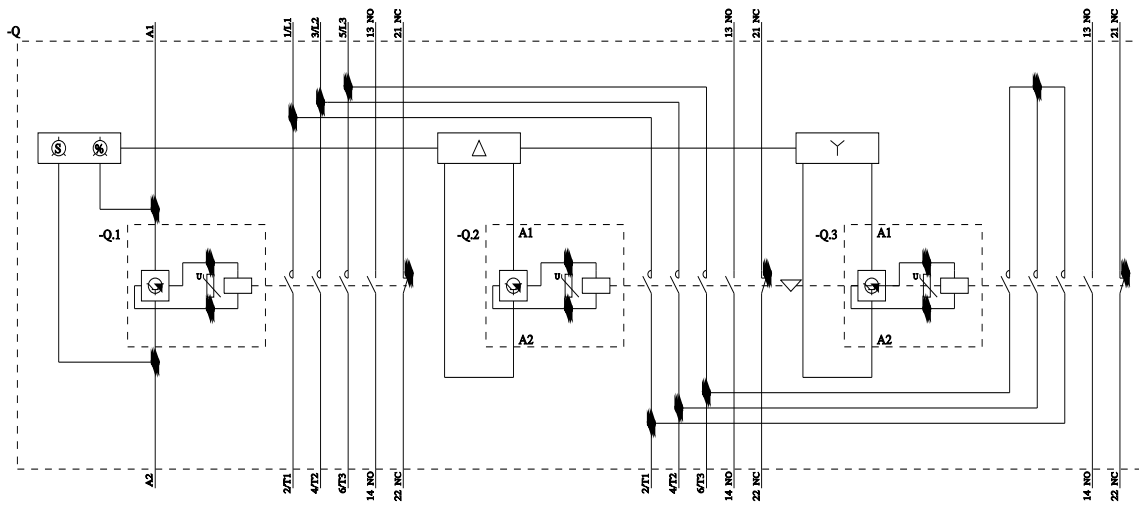
Characteristic: Tripping characteristics, I<sup>2</sup>t, Let-through current

<https://support.industry.siemens.com/cs/ww/en/ps/3RA2444-8XF32-1NB3/char>

Further characteristics (e.g. electrical endurance, switching frequency)

<https://www.automation.siemens.com/bilddb/index.aspx?view=Search&mlfb=3RA2444-8XF32-1NB3&objecttype=14&gridview=view1>





last modified:

8/8/2025 