

Contactor assembly for star-delta (wye-delta) start with IO-Link, AC-3, 75 kW/400 V 20-33 V AC/DC Size S3, screw terminal electrical and mechanical interlock 3 NO+3 NC, integrated varistor



|  |   |
|--|---|
| <b>product brand name</b>                                    | SIRIUS  |
| <b>product designation</b>                                   | Contactor assembly for star-delta (wye-delta) start   |
| <b>product type designation</b>                              | 3RA24   |
| <b>manufacturer's article number</b>                         | <ul style="list-style-type: none"> <li>• 1 of the supplied contactor <a href="#">3RT2045-1NB30-0CC0</a></li> <li>• 2 of the supplied contactor <a href="#">3RT2045-1NB30</a></li> <li>• 3 of the supplied contactor <a href="#">3RT2035-1NB30</a></li> <li>• of the supplied RS assembly kit <a href="#">3RA2943-2C</a></li> <li>• of the supplied function module for communication <a href="#">3RA2711-1CA00</a></li> </ul> |
| <b>General technical data</b>                                |   |
| <b>size of contactor</b>                                     | S3  |
| product extension auxiliary switch                           | No  |
| <b>shock resistance at rectangular impulse</b>               |   |
| • at AC  | 6.7 g / 5 ms, 4.0 g / 10 ms   |
| • at DC  | 6.7 g / 5 ms, 4g / 10 ms  |
| <b>shock resistance with sine pulse</b>                      |   |
| • at AC  | 10.6 g / 5 ms, 6.3 g / 10 ms  |
| • at DC  | 10.6 g / 5 ms, 6.3 g / 10 ms  |
| <b>mechanical service life (operating cycles)</b>            |   |
| • of contactor typical                                       | 10 000 000  |
| • of the contactor with added auxiliary switch block typical | 10 000 000  |
| <b>reference code according to IEC 81346-2</b>               | Q   |
| <b>Substance Prohibition (Date)</b>                          | 03/01/2017  |
| <b>SVHC substance name</b>                                   | Lead - 7439-92-1<br>Lead monoxide (lead oxide) - 1317-36-8<br>2,2',6,6'-tetrabromo-4,4'-isopropylidenediphenol - 79-94-7<br>2-methyl-1-(4-methylthiophenyl)-2-morpholinopropan-1-one - 71868-10-5<br>Melamine - 108-78-1  |
| <b>Weight</b>  | 5.912 kg  |
| <b>Ambient conditions</b>                                    |   |
| installation altitude at height above sea level maximum      | 2 000 m   |
| <b>ambient temperature</b>                                   |   |
| • during operation   | -25 ... +60 °C  |
| • during storage   | -55 ... +80 °C  |
| <b>Main circuit</b>  |   |
| <b>number of poles for main current circuit</b>              | 3   |
| <b>number of NO contacts for main contacts</b>               | 0   |
| <b>number of NC contacts for main contacts</b>               | 0   |
| <b>operating voltage</b>                                     |   |
| • at AC-3 rated value maximum                                | 690 V   |
| <b>operational current</b>                                   |   |

|  |  |
|--|--|
| <ul style="list-style-type: none"> <li>● at AC-3 <ul style="list-style-type: none"> <li>— at 400 V rated value</li> </ul> </li> </ul>  | 115 A  |
| <b>operating power</b>   |  |
| <ul style="list-style-type: none"> <li>● at AC-3 <ul style="list-style-type: none"> <li>— at 400 V rated value</li> <li>— at 690 V rated value</li> </ul> </li> </ul>  | 55 kW<br>90 kW   |
| <b>operating frequency</b>   |  |
| <ul style="list-style-type: none"> <li>● at AC-3 maximum</li> </ul>  | 1 000 1/h  |
| <b>Control circuit/ Control</b>  |  |
| <b>type of voltage of the control supply voltage</b>   | AC/DC  |
| <b>control supply voltage 1 at AC</b>  |  |
| <ul style="list-style-type: none"> <li>● at 50 Hz</li> <li>● at 60 Hz</li> </ul>   | 20 ... 33 V<br>20 ... 33 V   |
| <b>control supply voltage 1 at DC</b>  | 20 ... 33 V  |
| <b>design of the surge suppressor</b>  | with varistor  |
| <b>apparent pick-up power of magnet coil at AC</b>   |  |
| <ul style="list-style-type: none"> <li>● at 50 Hz</li> <li>● at 60 Hz</li> </ul>   | 328 VA<br>328 VA   |
| <b>inductive power factor with closing power of the coil</b>   |  |
| <ul style="list-style-type: none"> <li>● at 50 Hz</li> <li>● at 60 Hz</li> </ul>   | 0.95<br>0.95   |
| <b>apparent holding power of magnet coil at AC</b>   |  |
| <ul style="list-style-type: none"> <li>● at 50 Hz</li> <li>● at 60 Hz</li> </ul>   | 8.2 VA<br>8.2 VA   |
| <b>inductive power factor with the holding power of the coil</b>   |  |
| <ul style="list-style-type: none"> <li>● at 50 Hz</li> <li>● at 60 Hz</li> </ul>   | 0.95<br>0.95   |
| <b>closing power of magnet coil at DC</b>  | 154 W  |
| <b>holding power of magnet coil at DC</b>  | 5.6 W  |
| <b>Auxiliary circuit</b>   |  |
| <b>number of NC contacts for auxiliary contacts</b>  |  |
| <ul style="list-style-type: none"> <li>● instantaneous contact</li> </ul>  | 3  |
| <b>number of NO contacts for auxiliary contacts</b>  |  |
| <ul style="list-style-type: none"> <li>● instantaneous contact</li> </ul>  | 3  |
| <b>contact reliability of auxiliary contacts</b>   | < 1 error per 100 million operating cycles   |
| <b>UL/CSA ratings</b>  |  |
| <b>contact rating of auxiliary contacts according to UL</b>  | A600 / Q600  |
| <b>Short-circuit protection</b>  |  |
| <b>design of the fuse link</b>   |  |
| <ul style="list-style-type: none"> <li>● for short-circuit protection of the main circuit <ul style="list-style-type: none"> <li>— with type of coordination 1 required</li> <li>— with type of coordination 2 required</li> </ul> </li> <li>● for short-circuit protection of the auxiliary switch required</li> </ul>  | gG NH 3NA, DIAZED 5SB, NEOZED 5SE: 250 A<br>gG NH 3NA, DIAZED 5SB, NEOZED 5SE: 160 A<br>fuse gG: 10 A                                |
| <b>Installation/ mounting/ dimensions</b>  |  |
| <b>mounting position</b>   | +/-180° rotation possible on vertical mounting surface; can be tilted forward and backward by +/- 22.5° on vertical mounting surface |
| <b>fastening method</b>  | screw and snap-on mounting onto 35 mm DIN rail   |
| <b>height</b>  | 180 mm   |
| <b>width</b>   | 220 mm   |
| <b>depth</b>   | 244 mm   |
| <b>required spacing</b>  |  |
| <ul style="list-style-type: none"> <li>● with side-by-side mounting <ul style="list-style-type: none"> <li>— forwards</li> <li>— backwards</li> <li>— upwards</li> <li>— downwards</li> <li>— at the side</li> </ul> </li> <li>● for grounded parts <ul style="list-style-type: none"> <li>— forwards</li> <li>— backwards</li> <li>— upwards</li> </ul> </li> </ul> | 10 mm<br>0 mm<br>10 mm<br>10 mm<br>10 mm<br>10 mm<br>10 mm<br>0 mm<br>10 mm  |

|                  |       |
|------------------|-------|
| — at the side    | 10 mm |
| — downwards      | 10 mm |
| • for live parts |       |
| — forwards       | 10 mm |
| — backwards      | 0 mm  |
| — upwards        | 10 mm |
| — downwards      | 10 mm |
| — at the side    | 10 mm |

#### Connections/ Terminals

|   |  |
|---|--|
| <b>type of electrical connection</b>                                  |  |
| • for main current circuit  | screw-type terminals   |
| • for auxiliary and control circuit                                   | screw-type terminals   |
| • at contactor for auxiliary contacts                                 | Screw-type terminals   |
| • of magnet coil  | Screw-type terminals   |
| <b>type of connectable conductor cross-sections for main contacts</b> |  |
| • solid or stranded   | 2x (2.5 ... 16 mm <sup>2</sup> ), 2x (10 ... 50 mm <sup>2</sup> ), 1x (10 ... 70 mm <sup>2</sup> ) |
| • finely stranded with core end processing                            | 2x (2.5 ... 35 mm <sup>2</sup> ), 1x (2.5 ... 50 mm <sup>2</sup> )                                 |
| • finely stranded without core end processing                         | 2x (10 ... 35 mm <sup>2</sup> ), 1x (10 ... 50 mm <sup>2</sup> )                                   |
| <b>type of connectable conductor cross-sections</b>                   |  |
| • for auxiliary contacts  |  |
| — solid or stranded   | 2x (0.5 ... 1.5 mm <sup>2</sup> ), 2x (0.75 ... 2.5 mm <sup>2</sup> )                              |
| — finely stranded with core end processing                            | 2x (0.5 ... 1.5 mm <sup>2</sup> ), 2x (0.75 ... 2.5 mm <sup>2</sup> )                              |
| • for AWG cables for auxiliary contacts                               | 2x (20 ... 16), 2x (18 ... 14)   |

#### Safety related data

|  |  |
|--|--|
| product function suitable for safety function                  | Yes  |
| Electrical Safety  |  |
| <b>protection class IP on the front according to IEC 60529</b> | IP20   |
| <b>touch protection on the front according to IEC 60529</b>    | finger-safe, for vertical contact from the front |

#### Communication/ Protocol

|   |     |
|---|-----|
| <b>product function bus communication</b>               | No  |
| protocol is supported AS-Interface protocol             | No  |
| product function control circuit interface with IO link | Yes |

#### Approvals Certificates

|                          |       |                 |
|--------------------------|-------|-----------------|
| General Product Approval | other | Dangerous goods |
|--------------------------|-------|-----------------|



[Confirmation](#)

[Transport Information](#)

#### Environment

[Environmental Conformations](#)

#### Further information

##### Information on the packaging

<https://support.industry.siemens.com/cs/ww/en/view/109813875>

##### Information for data generation and storage

<https://support.industry.siemens.com/cs/ww/en/view/109995012>

##### Information- and Downloadcenter (Catalogs, Brochures,...)

<https://www.siemens.com/ic10>

##### Industry Mall (Online ordering system)

<https://mall.industry.siemens.com/mall/en/en/Catalog/product?mlfb=3RA2444-8XE32-1NB3>

##### Cax online generator

<https://support.automation.siemens.com/WW/CAXorder/default.aspx?lang=en&mlfb=3RA2444-8XE32-1NB3>

##### Service&Support (Manuals, Certificates, Characteristics, FAQs,...)

<https://support.industry.siemens.com/cs/ww/en/ps/3RA2444-8XE32-1NB3>

##### Image database (product images, 2D dimension drawings, 3D models, device circuit diagrams, EPLAN macros, ...)

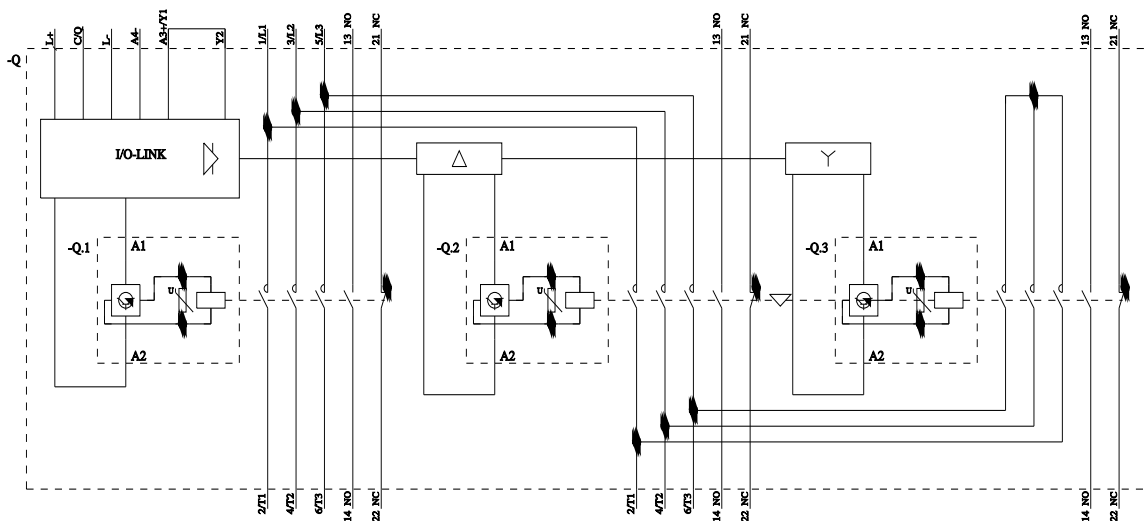
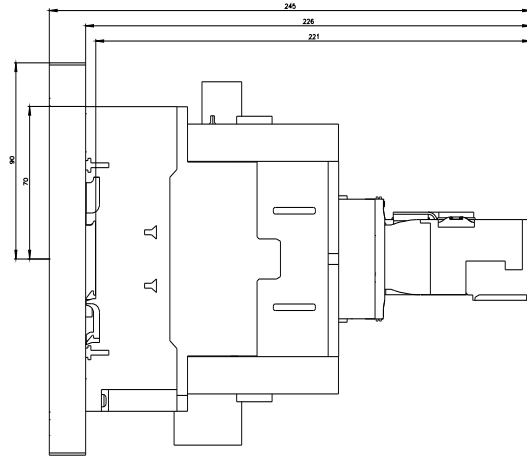
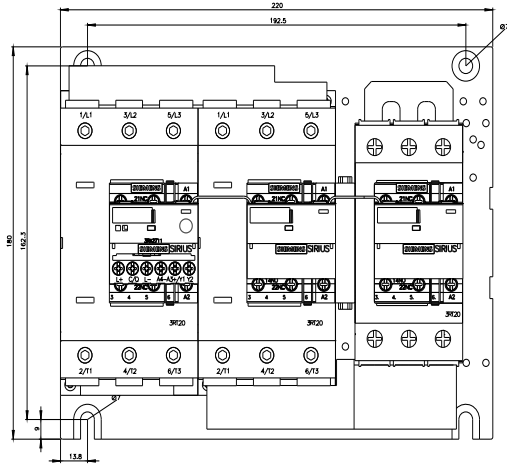
[https://www.automation.siemens.com/bilddb/cax\\_de.aspx?mlfb=3RA2444-8XE32-1NB3&lang=en](https://www.automation.siemens.com/bilddb/cax_de.aspx?mlfb=3RA2444-8XE32-1NB3&lang=en)

##### Characteristic: Tripping characteristics, I<sup>2</sup>t, Let-through current

<https://support.industry.siemens.com/cs/ww/en/ps/3RA2444-8XE32-1NB3/char>

Further characteristics (e.g. electrical endurance, switching frequency)

<https://www.automation.siemens.com/bilddb/index.aspx?view=Search&mlfb=3RA2444-8XE32-1NB3&objecttype=14&gridview=view1>



---

last modified:

5/9/2025 