

Contactor assembly for star-delta (wye-delta) start AC-3, 37 kW/400 V, 230 V AC 50/60 Hz, 3-pole, size S2 screw terminals electrical and mechanical interlock 3 NO + 3 NC integrated



| | |
|--|--|
| product brand name | SIRIUS |
| product designation | Contactor assembly for star-delta (wye-delta) start |
| product type designation | 3RA24 |
| manufacturer's article number | |
| <ul style="list-style-type: none"> • 1 of the supplied contactor • 2 of the supplied contactor • 3 of the supplied contactor • of the supplied RS assembly kit • of the supplied function module for wye-delta circuits | 3RT2035-1AL20 3RT2035-1AL20 3RT2027-1AL20 3RA2933-2C 3RA2816-0EW20 |
| General technical data | |
| size of contactor | S2 |
| product extension auxiliary switch | No |
| shock resistance at rectangular impulse | |
| <ul style="list-style-type: none"> • at AC | 11.8g / 5 ms, 7.4g / 10 ms |
| shock resistance with sine pulse | |
| <ul style="list-style-type: none"> • at AC | 18.5g / 5 ms, 11.6g / 10 ms |
| mechanical service life (operating cycles) | |
| <ul style="list-style-type: none"> • of contactor typical • of the contactor with added auxiliary switch block typical | 10 000 000 10 000 000 |
| reference code according to IEC 81346-2 | Q |
| Substance Prohibition (Date) | 10/01/2014 |
| SVHC substance name | Lead - 7439-92-1 Lead monoxide (lead oxide) - 1317-36-8 6,6'-di-tert-butyl-2,2'-methylenedi-p-cresol - 119-47-1 |
| Weight | 3.451 kg |
| Ambient conditions | |
| installation altitude at height above sea level maximum | 2 000 m |
| ambient temperature | |
| <ul style="list-style-type: none"> • during operation • during storage | -25 ... +60 °C -55 ... +80 °C |
| Main circuit | |
| number of poles for main current circuit | 3 |
| number of NO contacts for main contacts | 3 |
| number of NC contacts for main contacts | 0 |
| operating voltage | |
| <ul style="list-style-type: none"> • at AC-3 rated value maximum | 690 V |
| operational current | |
| <ul style="list-style-type: none"> • at AC-3 — at 400 V rated value | 80 A |
| operating power | |
| <ul style="list-style-type: none"> • at AC-3 | |

| | |
|---|--|
| — at 400 V rated value | 37 kW |
| operating frequency | |
| • at AC-3 maximum | 1 000 1/h |
| Control circuit/ Control | |
| type of voltage of the control supply voltage | AC |
| control supply voltage 1 at AC | |
| • at 50 Hz rated value | 230 V |
| • at 60 Hz rated value | 230 V |
| operating range factor control supply voltage rated value of magnet coil at AC | |
| • at 50 Hz | 0.8 ... 1.1 |
| • at 60 Hz | 0.85 ... 1.1 |
| apparent pick-up power of magnet coil at AC | |
| • at 50 Hz | 422 VA |
| • at 60 Hz | 378 VA |
| inductive power factor with closing power of the coil | |
| • at 50 Hz | 0.69 |
| • at 60 Hz | 0.65 |
| apparent holding power of magnet coil at AC | |
| • at 50 Hz | 36.4 VA |
| • at 60 Hz | 35 VA |
| inductive power factor with the holding power of the coil | |
| • at 50 Hz | 0.36 |
| • at 60 Hz | 0.39 |
| Auxiliary circuit | |
| number of NC contacts for auxiliary contacts | |
| • instantaneous contact | 3 |
| number of NO contacts for auxiliary contacts | |
| • instantaneous contact | 3 |
| contact reliability of auxiliary contacts | < 1 error per 100 million operating cycles |
| UL/CSA ratings | |
| contact rating of auxiliary contacts according to UL | A600 / Q600 |
| Short-circuit protection | |
| design of the fuse link | |
| • for short-circuit protection of the main circuit | |
| — with type of coordination 1 required | gG NH 3NA, DIAZED 5SB, NEOZED 5SE: 160 A |
| — with type of coordination 2 required | gG NH 3NA, DIAZED 5SB, NEOZED 5SE: 80 A |
| • for short-circuit protection of the auxiliary switch required | fuse gG: 10 A |
| Installation/ mounting/ dimensions | |
| mounting position | +/-180° rotation possible on vertical mounting surface; can be tilted forward and backward by +/- 22.5° on vertical mounting surface |
| fastening method | screw fixing |
| height | 142 mm |
| width | 177.5 mm |
| depth | 223 mm |
| required spacing | |
| • with side-by-side mounting | |
| — forwards | 10 mm |
| — backwards | 0 mm |
| — upwards | 10 mm |
| — downwards | 10 mm |
| — at the side | 10 mm |
| • for grounded parts | |
| — forwards | 10 mm |
| — backwards | 0 mm |
| — upwards | 10 mm |
| — at the side | 10 mm |
| — downwards | 10 mm |
| • for live parts | |
| — forwards | 10 mm |
| — backwards | 0 mm |

| | |
|---------------|-------|
| — upwards | 10 mm |
| — downwards | 10 mm |
| — at the side | 10 mm |

Connections/ Terminals

| | |
|--|--|
| type of electrical connection | |
| <ul style="list-style-type: none"> • for main current circuit • for auxiliary and control circuit • at contactor for auxiliary contacts • of magnet coil | screw-type terminals screw-type terminals Screw-type terminals Screw-type terminals |
| type of connectable conductor cross-sections for main contacts | |
| <ul style="list-style-type: none"> • solid • solid or stranded • finely stranded with core end processing | 2x (1 ... 35 mm ²), 1x (1 ... 50 mm ²) 2x (1 ... 35 mm ²), 1x (1 ... 50 mm ²) 2x (1 ... 25 mm ²), 1x (1 ... 35 mm ²) |
| type of connectable conductor cross-sections | |
| <ul style="list-style-type: none"> • for auxiliary contacts <ul style="list-style-type: none"> — solid or stranded — finely stranded with core end processing • for AWG cables for auxiliary contacts | 2x (0.5 ... 1.5 mm ²), 2x (0.75 ... 2.5 mm ²) 2x (0.5 ... 1.5 mm ²), 2x (0.75 ... 2.5 mm ²) 2x (20 ... 16), 2x (18 ... 14) |

Safety related data

| | |
|--|--|
| product function suitable for safety function | Yes |
| Electrical Safety | |
| protection class IP on the front according to IEC 60529 | IP20 |
| touch protection on the front according to IEC 60529 | finger-safe, for vertical contact from the front |

Communication/ Protocol

| | |
|---|----|
| product function bus communication | No |
| protocol is supported AS-Interface protocol | No |
| product function control circuit interface with IO link | No |

Approvals Certificates

| | | | |
|---------------------------------|--------------------------|-----------------------------|--------------|
| General Product Approval | Test Certificates | Maritime application | other |
|---------------------------------|--------------------------|-----------------------------|--------------|



[Type Test Certificates/Test Report](#)



| | | |
|--------------|------------------------|--------------------|
| other | Dangerous goods | Environment |
|--------------|------------------------|--------------------|

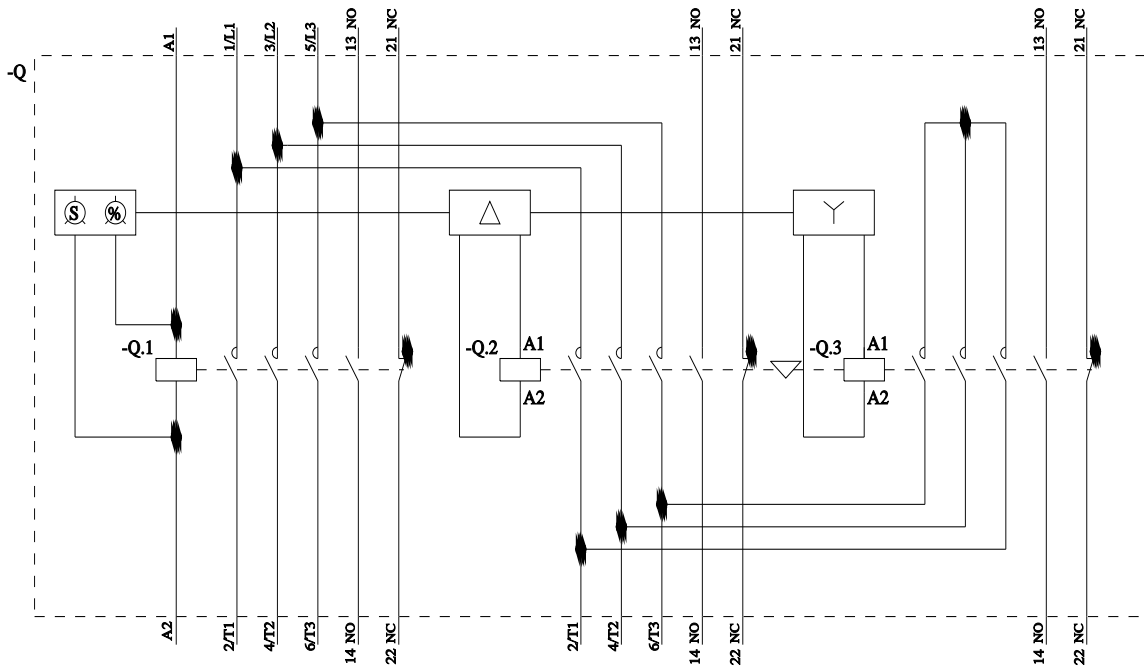
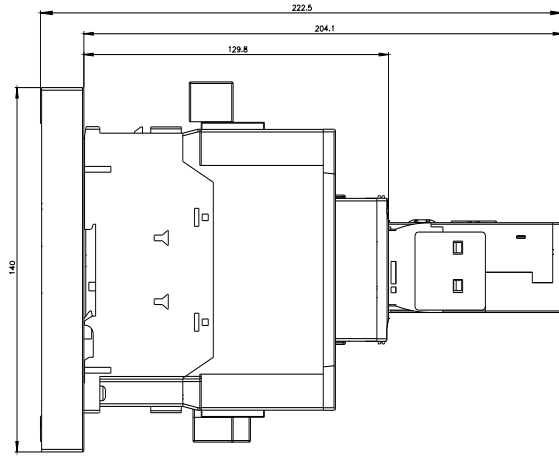
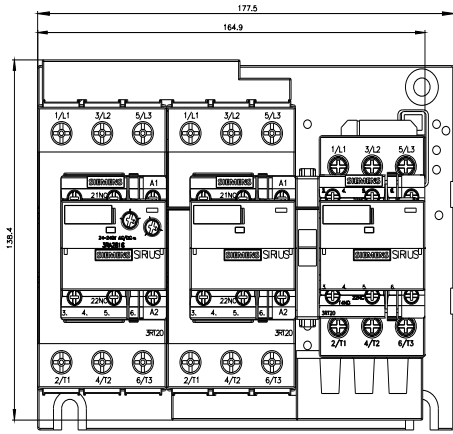
[Confirmation](#)

[Transport Information](#)

[Environmental Conformations](#)

Further information

- Information on the packaging**
<https://support.industry.siemens.com/cs/ww/en/view/109813875>
- Information for data generation and storage**
<https://support.industry.siemens.com/cs/ww/en/view/109995012>
- Information- and Downloadcenter (Catalogs, Brochures,...)**
<https://www.siemens.com/ic10>
- Industry Mall (Online ordering system)**
<https://mall.industry.siemens.com/mall/en/en/Catalog/product?mlfb=3RA2435-8XF32-1AL2>
- Cax online generator**
<https://support.automation.siemens.com/WW/CAXorder/default.aspx?lang=en&mlfb=3RA2435-8XF32-1AL2>
- Service&Support (Manuals, Certificates, Characteristics, FAQs,...)**
<https://support.industry.siemens.com/cs/ww/en/ps/3RA2435-8XF32-1AL2>
- Image database (product images, 2D dimension drawings, 3D models, device circuit diagrams, EPLAN macros, ...)**
https://www.automation.siemens.com/bilddb/cax_de.aspx?mlfb=3RA2435-8XF32-1AL2&lang=en
- Characteristic: Tripping characteristics, I²t, Let-through current**
<https://support.industry.siemens.com/cs/ww/en/ps/3RA2435-8XF32-1AL2/char>
- Further characteristics (e.g. electrical endurance, switching frequency)**
<https://www.automation.siemens.com/bilddb/index.aspx?view=Search&mlfb=3RA2435-8XF32-1AL2&objecttype=14&gridview=view1>



last modified:

8/8/2025

