

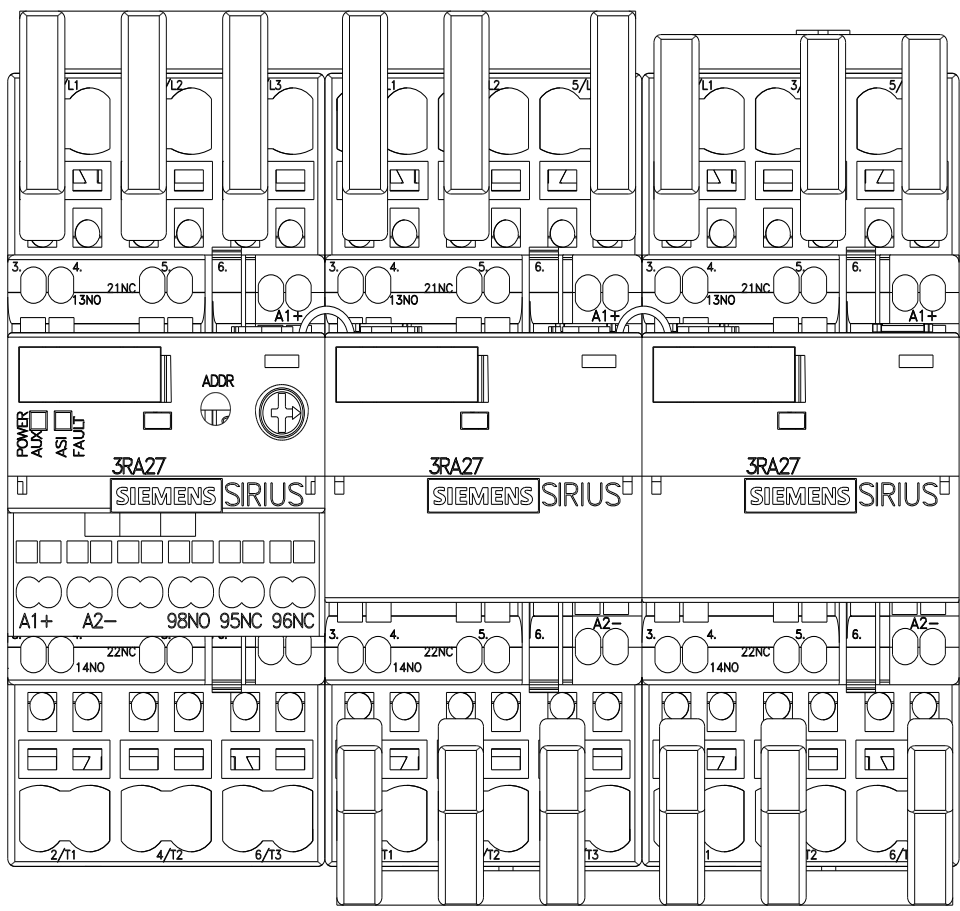
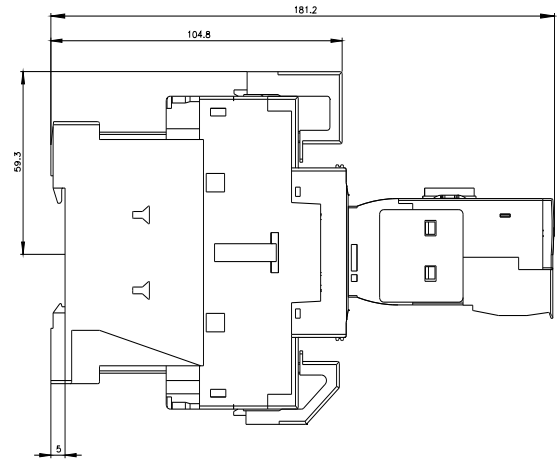
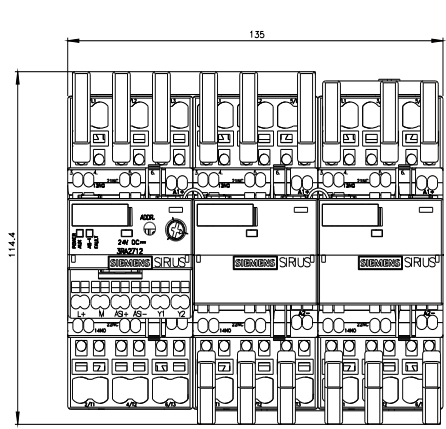
Contactor assembly for star-delta (wye-delta) start, AS-i AC-3, 22 kW/400 V, 24 V DC 3-pole, size S0 Spring-type terminals electrical and mechanical interlock 3 NO + 3 NC integrated

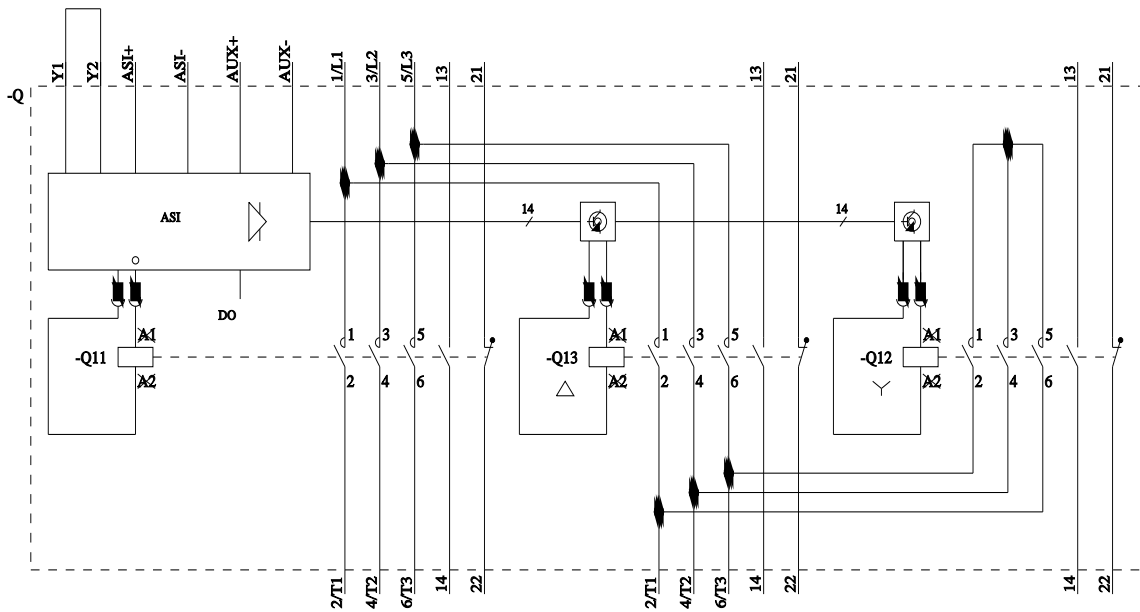


<b>product brand name</b>	SIRIUS
<b>product designation</b>	Contactor assembly for star-delta (wye-delta) start
<b>product type designation</b>	3RA24
<b>manufacturer's article number</b>	<ul style="list-style-type: none"> <li>• 1 of the supplied contactor <a href="#">3RT2027-2BB40-0CC0</a></li> <li>• 2 of the supplied contactor <a href="#">3RT2027-2BB40</a></li> <li>• 3 of the supplied contactor <a href="#">3RT2026-2BB40</a></li> <li>• of the supplied RS assembly kit <a href="#">3RA2923-2BB2</a></li> <li>• of the supplied function module for communication <a href="#">3RA2712-2CA00</a></li> </ul>
<b>General technical data</b>	
<b>size of contactor</b>	S0
product extension auxiliary switch	No
<b>shock resistance at rectangular impulse</b>	<ul style="list-style-type: none"> <li>• at AC 8,3g / 5 ms, 5,3g / 10 ms</li> <li>• at DC 10g / 5 ms, 7,5g / 10 ms</li> </ul>
<b>shock resistance with sine pulse</b>	<ul style="list-style-type: none"> <li>• at AC 13,5g / 5 ms, 8,3g / 10 ms</li> <li>• at DC 15g / 5 ms, 10g / 10 ms</li> </ul>
<b>mechanical service life (operating cycles)</b>	<ul style="list-style-type: none"> <li>• of contactor typical 10 000 000</li> <li>• of the contactor with added auxiliary switch block typical 10 000 000</li> </ul>
<b>reference code according to IEC 81346-2</b>	Q
<b>Substance Prohibition (Date)</b>	10/01/2009
<b>SVHC substance name</b>	Lead - 7439-92-1 Lead monoxide (lead oxide) - 1317-36-8 6,6'-di-tert-butyl-2,2'-methylenedi-p-cresol - 119-47-1
<b>Weight</b>	2.635 kg
<b>Ambient conditions</b>	
installation altitude at height above sea level maximum	2 000 m
<b>ambient temperature</b>	<ul style="list-style-type: none"> <li>• during operation -25 ... +60 °C</li> <li>• during storage -55 ... +80 °C</li> </ul>
<b>Main circuit</b>	
<b>number of poles for main current circuit</b>	3
<b>number of NO contacts for main contacts</b>	3
<b>number of NC contacts for main contacts</b>	0
<b>operating voltage</b>	<ul style="list-style-type: none"> <li>• at AC-3 rated value maximum 690 V</li> </ul>
<b>operational current</b>	<ul style="list-style-type: none"> <li>• at AC-3 — at 400 V rated value 50 A</li> </ul>

<b>operating power</b>	
<ul style="list-style-type: none"> <li>● at AC-3 <ul style="list-style-type: none"> <li>— at 400 V rated value</li> <li>— at 500 V rated value</li> <li>— at 690 V rated value</li> </ul> </li> </ul>	<p>22 kW</p> <p>19 kW</p> <p>19 kW</p>
<b>operating frequency</b>	
<ul style="list-style-type: none"> <li>● at AC-3 maximum</li> </ul>	1 000 1/h
<b>Control circuit/ Control</b>	
<b>type of voltage of the control supply voltage</b>	DC
<b>control supply voltage 1 at DC rated value</b>	24 V
<b>closing power of magnet coil at DC</b>	13.8 W
<b>holding power of magnet coil at DC</b>	13.8 W
<b>Auxiliary circuit</b>	
<b>number of NC contacts for auxiliary contacts</b>	
<ul style="list-style-type: none"> <li>● instantaneous contact</li> </ul>	3
<b>number of NO contacts for auxiliary contacts</b>	
<ul style="list-style-type: none"> <li>● instantaneous contact</li> </ul>	3
<b>contact reliability of auxiliary contacts</b>	< 1 error per 100 million operating cycles
<b>UL/CSA ratings</b>	
<b>contact rating of auxiliary contacts according to UL</b>	A600 / Q600
<b>Short-circuit protection</b>	
<b>design of the fuse link</b>	
<ul style="list-style-type: none"> <li>● for short-circuit protection of the main circuit <ul style="list-style-type: none"> <li>— with type of coordination 1 required</li> <li>— with type of coordination 2 required</li> </ul> </li> <li>● for short-circuit protection of the auxiliary switch required</li> </ul>	<p>gG NH 3NA, DIAZED 5SB, NEOZED 5SE: 125 A</p> <p>gG NH 3NA, DIAZED 5SB, NEOZED 5SE: 50 A</p> <p>fuse gG: 10 A</p>
<b>Installation/ mounting/ dimensions</b>	
<b>mounting position</b>	+/-180° rotation possible on vertical mounting surface; can be tilted forward and backward by +/- 22.5° on vertical mounting surface
<b>fastening method</b>	screw and snap-on mounting onto 35 mm DIN rail
<b>height</b>	114 mm
<b>width</b>	135 mm
<b>depth</b>	181 mm
<b>required spacing</b>	
<ul style="list-style-type: none"> <li>● with side-by-side mounting <ul style="list-style-type: none"> <li>— forwards</li> <li>— backwards</li> <li>— upwards</li> <li>— downwards</li> <li>— at the side</li> </ul> </li> <li>● for grounded parts <ul style="list-style-type: none"> <li>— forwards</li> <li>— backwards</li> <li>— upwards</li> <li>— at the side</li> <li>— downwards</li> </ul> </li> <li>● for live parts <ul style="list-style-type: none"> <li>— forwards</li> <li>— backwards</li> <li>— upwards</li> <li>— downwards</li> <li>— at the side</li> </ul> </li> </ul>	<p>6 mm</p> <p>0 mm</p> <p>6 mm</p> <p>6 mm</p> <p>6 mm</p> <p>6 mm</p> <p>6 mm</p> <p>0 mm</p> <p>6 mm</p> <p>6 mm</p> <p>6 mm</p> <p>6 mm</p> <p>0 mm</p> <p>6 mm</p> <p>6 mm</p> <p>6 mm</p>
<b>Connections/ Terminals</b>	
<b>type of electrical connection</b>	
<ul style="list-style-type: none"> <li>● for main current circuit</li> <li>● for auxiliary and control circuit</li> <li>● at contactor for auxiliary contacts</li> <li>● of magnet coil</li> </ul>	<p>spring-loaded terminals</p> <p>spring-loaded terminals</p> <p>Spring-type terminals</p> <p>Spring-type terminals</p>
<b>type of connectable conductor cross-sections for main contacts</b>	
<ul style="list-style-type: none"> <li>● solid</li> <li>● solid or stranded</li> </ul>	<p>2x (1 ... 10 mm<sup>2</sup>)</p> <p>2x (1 ... 10 mm<sup>2</sup>)</p>







last modified:

5/9/2025 