

Contactor assembly for star-delta (wye-delta) start, AS-i AC-3, 5.5 kW/400 V, 24 V DC 3-pole, Size S00 screw terminals electrical and mechanical interlock 3 NO integrated



<b>product brand name</b>	SIRIUS
<b>product designation</b>	Contactor assembly for star-delta (wye-delta) start
<b>product type designation</b>	3RA24
<b>manufacturer's article number</b>	<ul style="list-style-type: none"> <li>• 1 of the supplied contactor <a href="#">3RT2015-1BB41-0CC0</a></li> <li>• 2 of the supplied contactor <a href="#">3RT2015-1BB41</a></li> <li>• 3 of the supplied contactor <a href="#">3RT2015-1BB41</a></li> <li>• of the supplied RS assembly kit <a href="#">3RA2913-2BB1</a></li> <li>• of the supplied function module for communication <a href="#">3RA2712-1CA00</a></li> </ul>
<b>General technical data</b>	
<b>size of contactor</b>	S00
product extension auxiliary switch	No
<b>shock resistance at rectangular impulse</b>	<ul style="list-style-type: none"> <li>• at AC 6,7g / 5 ms, 4,2g / 10 ms</li> <li>• at DC 6,7g / 5 ms, 4,2g / 10 ms</li> </ul>
<b>shock resistance with sine pulse</b>	<ul style="list-style-type: none"> <li>• at AC 10,5g / 5 ms, 6,6g / 10 ms</li> <li>• at DC 10,5g / 5 ms, 6,6g / 10 ms</li> </ul>
<b>mechanical service life (operating cycles)</b>	<ul style="list-style-type: none"> <li>• of contactor typical 10 000 000</li> <li>• of the contactor with added auxiliary switch block typical 10 000 000</li> </ul>
<b>reference code according to IEC 81346-2</b>	Q
<b>Substance Prohibition (Date)</b>	10/01/2009
<b>SVHC substance name</b>	Lead - 7439-92-1 Lead monoxide (lead oxide) - 1317-36-8 6,6'-di-tert-butyl-2,2'-methylenedi-p-cresol - 119-47-1
<b>Weight</b>	1.322 kg
<b>Ambient conditions</b>	
installation altitude at height above sea level maximum	2 000 m
<b>ambient temperature</b>	<ul style="list-style-type: none"> <li>• during operation -25 ... +60 °C</li> <li>• during storage -55 ... +80 °C</li> </ul>
<b>Main circuit</b>	
<b>number of poles for main current circuit</b>	3
<b>number of NO contacts for main contacts</b>	3
<b>number of NC contacts for main contacts</b>	0
<b>operating voltage</b>	<ul style="list-style-type: none"> <li>• at AC-3 rated value maximum 690 V</li> </ul>
<b>operational current</b>	<ul style="list-style-type: none"> <li>• at AC-3 — at 400 V rated value 12 A</li> </ul>

<b>operating power</b>	
<ul style="list-style-type: none"> <li>● at AC-3 <ul style="list-style-type: none"> <li>— at 400 V rated value</li> <li>— at 500 V rated value</li> <li>— at 690 V rated value</li> </ul> </li> </ul>	<p>5.5 kW</p> <p>7.2 kW</p> <p>9.2 kW</p>
<b>operating frequency</b>	
<ul style="list-style-type: none"> <li>● at AC-3 maximum</li> </ul>	1 000 1/h
<b>Control circuit/ Control</b>	
<b>type of voltage of the control supply voltage</b>	DC
<b>control supply voltage 1 at DC rated value</b>	24 V
<b>closing power of magnet coil at DC</b>	10 W
<b>holding power of magnet coil at DC</b>	10 W
<b>Auxiliary circuit</b>	
number of NO contacts for auxiliary contacts	
<ul style="list-style-type: none"> <li>● instantaneous contact</li> </ul>	3
<b>contact reliability of auxiliary contacts</b>	< 1 error per 100 million operating cycles
<b>UL/CSA ratings</b>	
<b>contact rating of auxiliary contacts according to UL</b>	A600 / Q600
<b>Short-circuit protection</b>	
<b>design of the fuse link</b>	
<ul style="list-style-type: none"> <li>● for short-circuit protection of the main circuit <ul style="list-style-type: none"> <li>— with type of coordination 1 required</li> <li>— with type of coordination 2 required</li> </ul> </li> <li>● for short-circuit protection of the auxiliary switch required</li> </ul>	<p>gG NH 3NA, DIAZED 5SB, NEOZED 5SE: 35 A</p> <p>gG NH 3NA, DIAZED 5SB, NEOZED 5SE: 20 A</p> <p>fuse gG: 10 A</p>
<b>Installation/ mounting/ dimensions</b>	
<b>mounting position</b>	+/-180° rotation possible on vertical mounting surface; can be tilted forward and backward by +/- 22.5° on vertical mounting surface
<b>fastening method</b>	screw and snap-on mounting onto 35 mm DIN rail
<b>height</b>	68 mm
<b>width</b>	135 mm
<b>depth</b>	145 mm
<b>required spacing</b>	
<ul style="list-style-type: none"> <li>● with side-by-side mounting <ul style="list-style-type: none"> <li>— forwards</li> <li>— backwards</li> <li>— upwards</li> <li>— downwards</li> <li>— at the side</li> </ul> </li> <li>● for grounded parts <ul style="list-style-type: none"> <li>— forwards</li> <li>— backwards</li> <li>— upwards</li> <li>— at the side</li> <li>— downwards</li> </ul> </li> <li>● for live parts <ul style="list-style-type: none"> <li>— forwards</li> <li>— backwards</li> <li>— upwards</li> <li>— downwards</li> <li>— at the side</li> </ul> </li> </ul>	<p>6 mm</p> <p>0 mm</p> <p>6 mm</p> <p>6 mm</p> <p>6 mm</p> <p>6 mm</p> <p>6 mm</p> <p>0 mm</p> <p>6 mm</p> <p>6 mm</p> <p>6 mm</p> <p>6 mm</p> <p>0 mm</p> <p>6 mm</p> <p>6 mm</p> <p>6 mm</p>
<b>Connections/ Terminals</b>	
<b>type of electrical connection</b>	
<ul style="list-style-type: none"> <li>● for main current circuit</li> <li>● for auxiliary and control circuit</li> <li>● at contactor for auxiliary contacts</li> <li>● of magnet coil</li> </ul>	<p>screw-type terminals</p> <p>screw-type terminals</p> <p>Screw-type terminals</p> <p>Screw-type terminals</p>
type of connectable conductor cross-sections for main contacts	
<ul style="list-style-type: none"> <li>● solid</li> <li>● solid or stranded</li> <li>● finely stranded with core end processing</li> </ul>	<p>2x (0.5 ... 1.5 mm<sup>2</sup>), 2x (0.75 ... 2.5 mm<sup>2</sup>), 2x 4 mm<sup>2</sup></p> <p>2x (0,5 ... 1,5 mm<sup>2</sup>), 2x (0,75 ... 2,5 mm<sup>2</sup>), 2x (0,5 ... 4 mm<sup>2</sup>)</p> <p>2x (0.5 ... 1.5 mm<sup>2</sup>), 2x (0.75 ... 2.5 mm<sup>2</sup>)</p>
<b>type of connectable conductor cross-sections</b>	

- for auxiliary contacts
  - solid or stranded
  - finely stranded with core end processing
- for AWG cables for auxiliary contacts

2x (0.5 ... 1.5 mm<sup>2</sup>), 2x (0.75 ... 2.5 mm<sup>2</sup>)  
 2x (0.5 ... 1.5 mm<sup>2</sup>), 2x (0.75 ... 2.5 mm<sup>2</sup>)  
 2x (20 ... 16), 2x (18 ... 14)





#### Safety related data

product function suitable for safety function	Yes
Electrical Safety	
protection class IP on the front according to IEC 60529	IP20
touch protection on the front according to IEC 60529	finger-safe, for vertical contact from the front

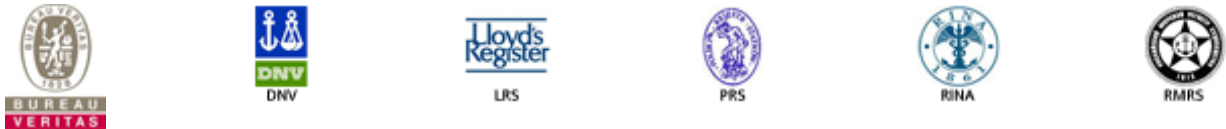
#### Communication/ Protocol


product function bus communication	No
protocol is supported AS-Interface protocol	Yes
product function control circuit interface with IO link	No

#### Approvals Certificates

General Product Approval	Test Certificates	Maritime application
 EG-Konf.  	<a href="#">Special Test Certificate</a>	<a href="#">Type Test Certificates/Test Report</a> 

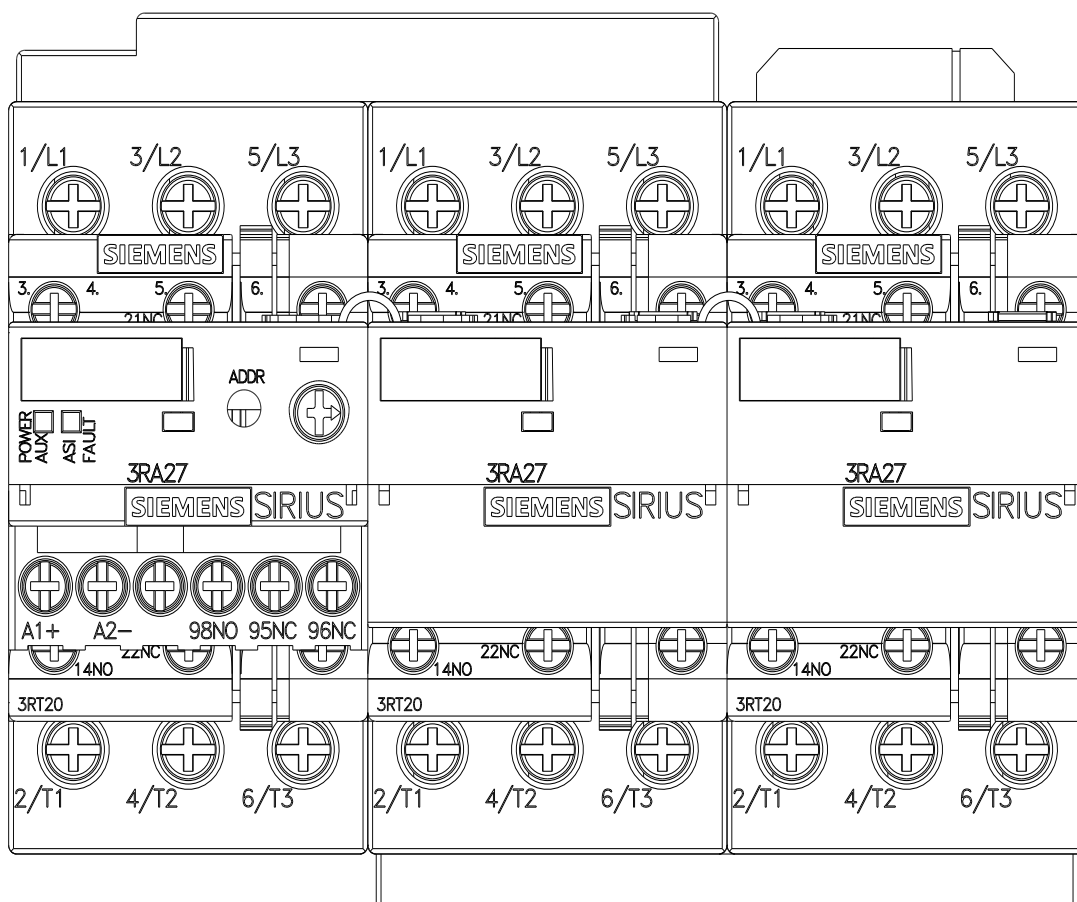
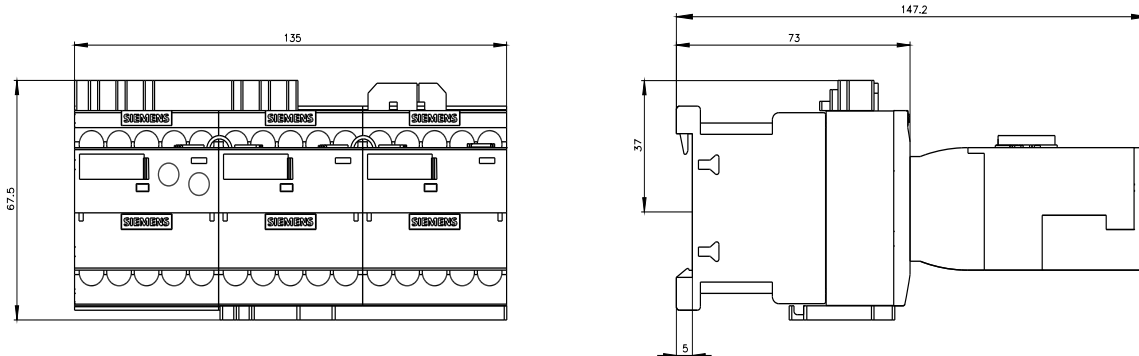
#### Maritime application

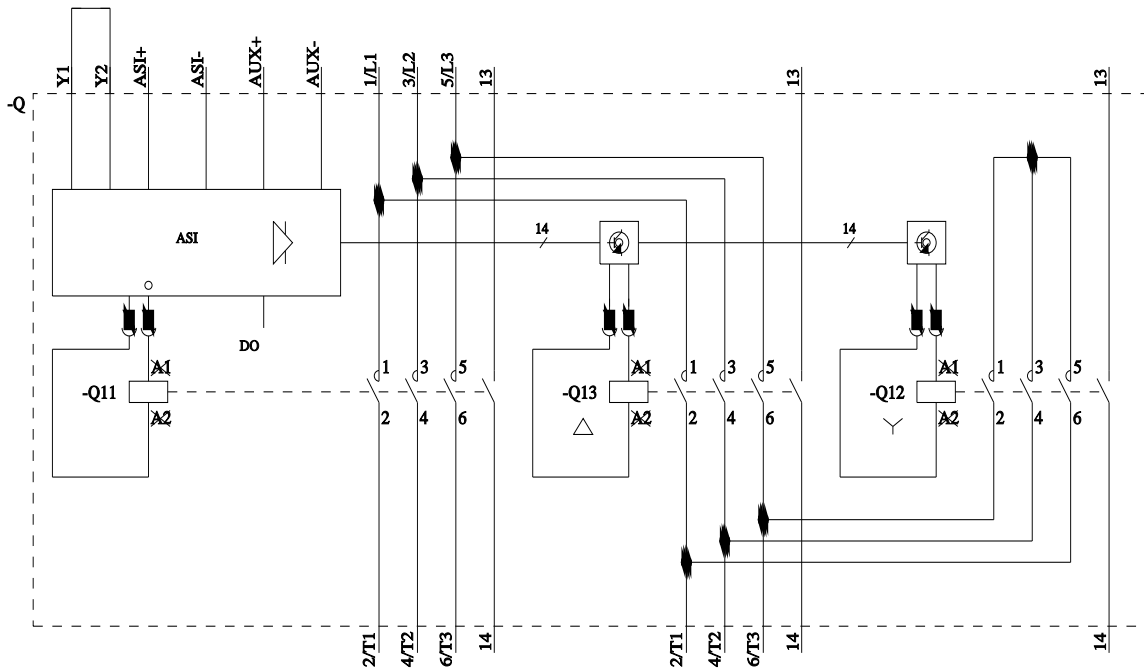


other	Railway	Dangerous goods	Environment
	<a href="#">Confirmation</a>	<a href="#">Special Test Certificate</a>	<a href="#">Transport Information</a>
			<a href="#">Environmental Confirmations</a>

#### Further information

Information on the packaging  
<https://support.industry.siemens.com/cs/ww/en/view/109813875>  
 Information for data generation and storage  
<https://support.industry.siemens.com/cs/ww/en/view/109995012>  
 Information- and Downloadcenter (Catalogs, Brochures,...)  
<https://www.siemens.com/ic10>  
 Industry Mall (Online ordering system)  
<https://mall.industry.siemens.com/mall/en/en/Catalog/product?mlfb=3RA2415-8XH31-1BB4>  
 Cax online generator  
<https://support.automation.siemens.com/WW/CAXorder/default.aspx?lang=en&mlfb=3RA2415-8XH31-1BB4>  
 Service&Support (Manuals, Certificates, Characteristics, FAQs,...)  
<https://support.industry.siemens.com/cs/ww/en/ps/3RA2415-8XH31-1BB4>  
 Image database (product images, 2D dimension drawings, 3D models, device circuit diagrams, EPLAN macros, ...)  
[https://www.automation.siemens.com/bilddb/cax\\_de.aspx?mlfb=3RA2415-8XH31-1BB4&lang=en](https://www.automation.siemens.com/bilddb/cax_de.aspx?mlfb=3RA2415-8XH31-1BB4&lang=en)  
 Characteristic: Tripping characteristics, I<sub>t</sub>, Let-through current  
<https://support.industry.siemens.com/cs/ww/en/ps/3RA2415-8XH31-1BB4/char>  
 Further characteristics (e.g. electrical endurance, switching frequency)  
<https://www.automation.siemens.com/bilddb/index.aspx?view=Search&mlfb=3RA2415-8XH31-1BB4&objecttype=14&gridview=view1>





last modified:

5/9/2025 