



reversing contactor assembly, AC-3e/AC-3, 51 A, 22 kW / 400 V, 3-pole, 110 V AC, 50 Hz / 120 V, 60 Hz, screw terminal, electrical and mechanical interlock, auxiliary contacts: 2 x 1 NO

|   |  |
|---|--|
| <b>product brand name</b>   | SIRIUS   |
| <b>product designation</b>  | Reversing contactor assembly   |
| <b>product type designation</b>   | 3RA23  |
| <b>manufacturer's article number</b>  |  |
| <ul style="list-style-type: none"> <li>• 1 of the supplied contactor</li> <li>• 2 of the supplied contactor</li> <li>• of the supplied RS assembly kit</li> </ul>   | <a href="#">3RT2036-1AK60</a><br><a href="#">3RT2036-1AK60</a><br><a href="#">3RA2933-2AA1</a> |
| <b>General technical data</b>   |  |
| <b>size of contactor</b>  | S2   |
| product extension auxiliary switch  | Yes  |
| <b>shock resistance at rectangular impulse</b>  |  |
| <ul style="list-style-type: none"> <li>• at AC</li> </ul>   | 11.8g / 5 ms, 11.6g / 10 ms  |
| <b>shock resistance with sine pulse</b>   |  |
| <ul style="list-style-type: none"> <li>• at AC</li> </ul>   | 18.5g / 5 ms, 11.6g / 10 ms  |
| <b>mechanical service life (operating cycles)</b>   |  |
| <ul style="list-style-type: none"> <li>• of contactor typical</li> <li>• of the contactor with added auxiliary switch block typical</li> </ul>  | 10 000 000<br>10 000 000   |
| <b>reference code according to IEC 81346-2</b>  | Q  |
| <b>Substance Prohibition (Date)</b>   | 10/01/2014   |
| <b>Weight</b>   | 2.558 kg   |
| <b>Ambient conditions</b>   |  |
| installation altitude at height above sea level maximum   | 2 000 m  |
| <b>ambient temperature</b>  |  |
| <ul style="list-style-type: none"> <li>• during operation</li> <li>• during storage</li> </ul>  | -25 ... +60 °C<br>-55 ... +80 °C   |
| <b>Main circuit</b>   |  |
| <b>number of poles for main current circuit</b>   | 3  |
| <b>number of NO contacts for main contacts</b>  | 3  |
| <b>number of NC contacts for main contacts</b>  | 0  |
| <b>operating voltage</b>  |  |
| <ul style="list-style-type: none"> <li>• at AC-3 rated value maximum</li> <li>• at AC-3e rated value maximum</li> </ul>   | 690 V<br>690 V   |
| <b>operational current</b>  |  |
| <ul style="list-style-type: none"> <li>• at AC-3 <ul style="list-style-type: none"> <li>— at 400 V rated value</li> <li>— at 500 V rated value</li> <li>— at 690 V rated value</li> </ul> </li> <li>• at AC-3e <ul style="list-style-type: none"> <li>— at 400 V rated value</li> <li>— at 500 V rated value</li> </ul> </li> </ul> | 51 A<br>51 A<br>24 A<br>51 A<br>51 A   |

|   |  |
|---|--|
| — at 690 V rated value  | 24 A   |
| <b>operating power</b>  |  |
| ● at AC-3   |  |
| — at 400 V rated value  | 22 kW  |
| — at 500 V rated value  | 30 kW  |
| — at 690 V rated value  | 22 kW  |
| ● at AC-3e  |  |
| — at 400 V rated value  | 22 kW  |
| — at 690 V rated value  | 22 kW  |
| ● at AC-4 at 400 V rated value  | 22 kW  |
| <b>operating frequency</b>  |  |
| ● at AC-3 maximum   | 800 1/h  |
| ● at AC-3e maximum  | 800 1/h  |
| <b>Control circuit/ Control</b>   |  |
| <b>type of voltage of the control supply voltage</b>                                  | AC   |
| <b>control supply voltage 1 at AC</b>   |  |
| ● at 50 Hz rated value  | 110 V  |
| ● at 60 Hz rated value  | 120 V  |
| <b>operating range factor control supply voltage rated value of magnet coil at AC</b> |  |
| ● at 50 Hz  | 0.8 ... 1.1  |
| ● at 60 Hz  | 0.8 ... 1.1  |
| <b>apparent pick-up power of magnet coil at AC</b>                                    |  |
| ● at 50 Hz  | 212 VA   |
| ● at 60 Hz  | 188 VA   |
| <b>inductive power factor with closing power of the coil</b>                          |  |
| ● at 50 Hz  | 0.67   |
| ● at 60 Hz  | 0.65   |
| <b>apparent holding power of magnet coil at AC</b>                                    |  |
| ● at 50 Hz  | 18.5 VA  |
| ● at 60 Hz  | 16.5 VA  |
| <b>inductive power factor with the holding power of the coil</b>                      |  |
| ● at 50 Hz  | 0.36   |
| ● at 60 Hz  | 0.39   |
| <b>Auxiliary circuit</b>  |  |
| <b>number of NC contacts for auxiliary contacts</b>                                   |  |
| ● per direction of rotation   | 0  |
| number of NO contacts for auxiliary contacts  |  |
| ● per direction of rotation   | 1  |
| ● instantaneous contact   | 2  |
| <b>contact reliability of auxiliary contacts</b>                                      | < 1 error per 100 million operating cycles   |
| <b>UL/CSA ratings</b>   |  |
| <b>full-load current (FLA) for 3-phase AC motor</b>                                   |  |
| ● at 480 V rated value  | 52 A   |
| ● at 600 V rated value  | 52 A   |
| yielded mechanical performance [hp] for 3-phase AC motor                              |  |
| ● at 220/230 V rated value  | 15 hp  |
| ● at 460/480 V rated value  | 40 hp  |
| ● at 575/600 V rated value  | 50 hp  |
| <b>contact rating of auxiliary contacts according to UL</b>                           | A600 / Q600  |
| <b>Short-circuit protection</b>   |  |
| <b>design of the fuse link</b>  |  |
| ● for short-circuit protection of the main circuit                                    |  |
| — with type of coordination 1 required  | gG NH 3NA, DIAZED 5SB, NEOZED 5SE: 160 A   |
| — with type of coordination 2 required  | gG NH 3NA, DIAZED 5SB, NEOZED 5SE: 80 A  |
| ● for short-circuit protection of the auxiliary switch required                       | fuse gG: 10 A  |
| <b>Installation/ mounting/ dimensions</b>   |  |
| <b>mounting position</b>  | +/-180° rotation possible on vertical mounting surface; can be tilted forward and backward by +/- 22.5° on vertical mounting surface |
| <b>fastening method</b>   | screw and snap-on mounting onto 35 mm DIN rail   |
| <b>height</b>   | 141 mm   |

|   |        |
|---|--------|
| <b>width</b>  | 120 mm |
| <b>depth</b>  | 130 mm |
| <b>required spacing</b>   |        |
| <ul style="list-style-type: none"> <li>• with side-by-side mounting <ul style="list-style-type: none"> <li>— forwards 10 mm</li> <li>— backwards 0 mm</li> <li>— upwards 10 mm</li> <li>— downwards 10 mm</li> <li>— at the side 10 mm</li> </ul> </li> <li>• for grounded parts <ul style="list-style-type: none"> <li>— forwards 10 mm</li> <li>— backwards 0 mm</li> <li>— upwards 10 mm</li> <li>— at the side 10 mm</li> <li>— downwards 10 mm</li> </ul> </li> <li>• for live parts <ul style="list-style-type: none"> <li>— forwards 10 mm</li> <li>— backwards 0 mm</li> <li>— upwards 10 mm</li> <li>— downwards 10 mm</li> <li>— at the side 10 mm</li> </ul> </li> </ul> |        |

**Connections/ Terminals**

|   |  |
|---|--|
| <b>type of electrical connection</b>  |  |
| <ul style="list-style-type: none"> <li>• for main current circuit screw-type terminals</li> <li>• for auxiliary and control circuit screw-type terminals</li> <li>• at contactor for auxiliary contacts Screw-type terminals</li> <li>• of magnet coil Screw-type terminals</li> </ul>  |  |
| <b>type of connectable conductor cross-sections for main contacts</b>   |  |
| <ul style="list-style-type: none"> <li>• solid 2x (1 ... 35 mm<sup>2</sup>), 1x (1 ... 50 mm<sup>2</sup>)</li> <li>• solid or stranded 2x (1 ... 35 mm<sup>2</sup>), 1x (1 ... 50 mm<sup>2</sup>)</li> <li>• finely stranded with core end processing 2x (1 ... 25 mm<sup>2</sup>), 1x (1 ... 35 mm<sup>2</sup>)</li> </ul>   |  |
| <b>type of connectable conductor cross-sections</b>   |  |
| <ul style="list-style-type: none"> <li>• for auxiliary contacts <ul style="list-style-type: none"> <li>— solid or stranded 2x (0.5 ... 1.5 mm<sup>2</sup>), 2x (0.75 ... 2.5 mm<sup>2</sup>)</li> <li>— finely stranded with core end processing 2x (0.5 ... 1.5 mm<sup>2</sup>), 2x (0.75 ... 2.5 mm<sup>2</sup>)</li> </ul> </li> <li>• for AWG cables for auxiliary contacts 2x (20 ... 16), 2x (18 ... 14)</li> </ul> |  |

**Safety related data**

|  |  |
|--|--|
| product function suitable for safety function                  | Yes  |
| <b>Electrical Safety</b>                                       |  |
| <b>protection class IP on the front according to IEC 60529</b> | IP20   |
| <b>touch protection on the front according to IEC 60529</b>    | finger-safe, for vertical contact from the front |

**Communication/ Protocol**

|   |     |
|---|-----|
| <b>product function bus communication</b>               | Yes |
| protocol is supported AS-Interface protocol             | No  |
| product function control circuit interface with IO link | No  |

**Approvals Certificates**

|                                 |                          |                             |
|---------------------------------|--------------------------|-----------------------------|
| <b>General Product Approval</b> | <b>Test Certificates</b> | <b>Maritime application</b> |
|---------------------------------|--------------------------|-----------------------------|



[Type Test Certificates/Test Report](#)



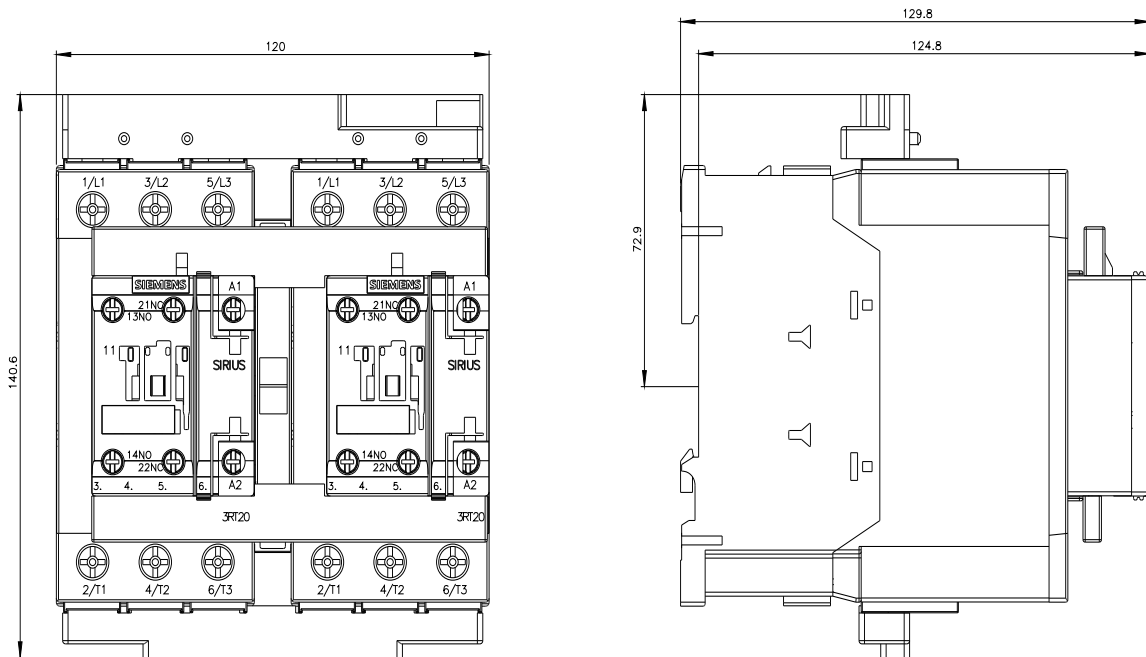
|                             |              |
|-----------------------------|--------------|
| <b>Maritime application</b> | <b>other</b> |
|-----------------------------|--------------|

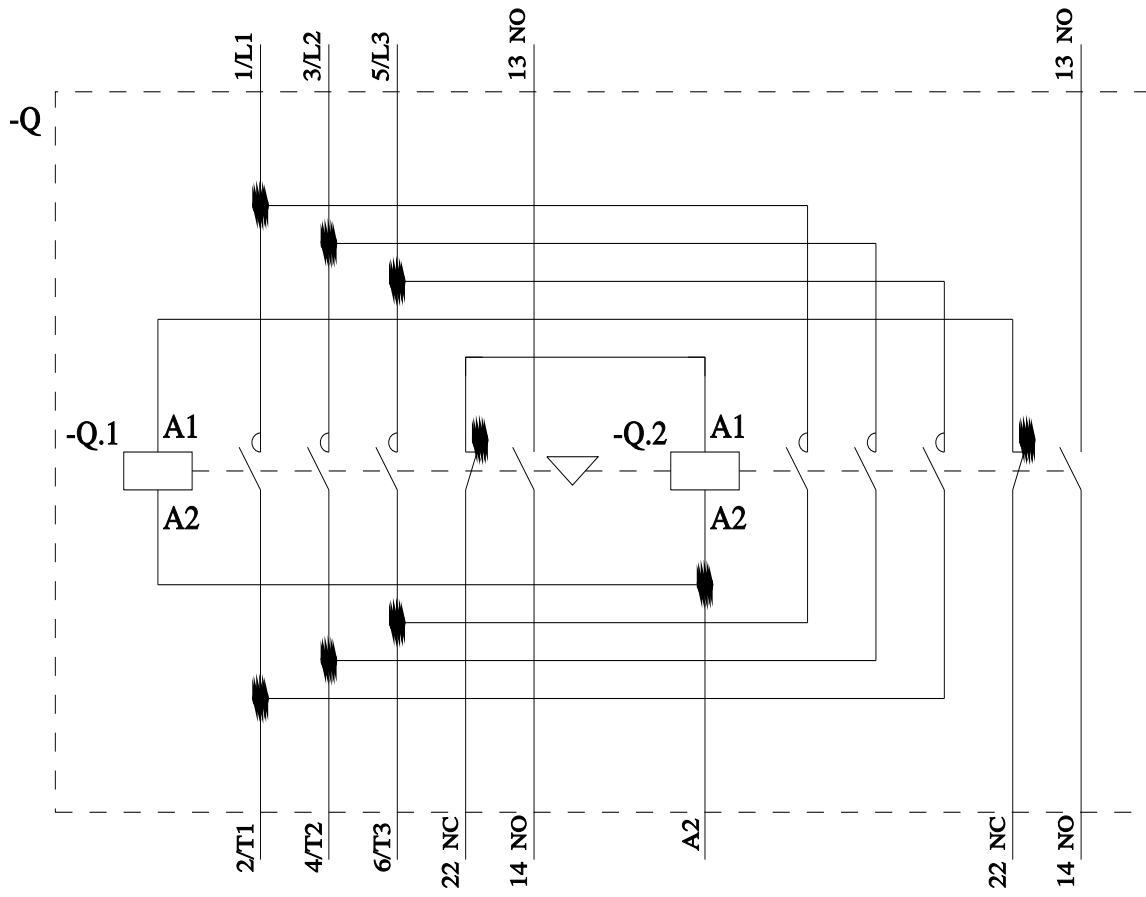


[Confirmation](#)     [Transport Information](#)     [Environmental Confirmations](#)

**Further information**

- Information on the packaging  
<https://support.industry.siemens.com/cs/ww/en/view/109813875>
- Information for data generation and storage  
<https://support.industry.siemens.com/cs/ww/en/view/109995012>
- Information- and Downloadcenter (Catalogs, Brochures,...)  
<https://www.siemens.com/ic10>
- Industry Mall (Online ordering system)  
<https://mall.industry.siemens.com/mall/en/en/Catalog/product?mlfb=3RA2336-8XB30-1AK6>
- Cax online generator  
<https://support.automation.siemens.com/WW/CAXorder/default.aspx?lang=en&mlfb=3RA2336-8XB30-1AK6>
- Service&Support (Manuals, Certificates, Characteristics, FAQs,...)  
<https://support.industry.siemens.com/cs/ww/en/ps/3RA2336-8XB30-1AK6>
- Image database (product images, 2D dimension drawings, 3D models, device circuit diagrams, EPLAN macros, ...)  
[https://www.automation.siemens.com/bilddb/cax\\_de.aspx?mlfb=3RA2336-8XB30-1AK6&lang=en](https://www.automation.siemens.com/bilddb/cax_de.aspx?mlfb=3RA2336-8XB30-1AK6&lang=en)
- Characteristic: Tripping characteristics, I<sup>2</sup>t, Let-through current  
<https://support.industry.siemens.com/cs/ww/en/ps/3RA2336-8XB30-1AK6/char>
- Further characteristics (e.g. electrical endurance, switching frequency)  
<https://www.automation.siemens.com/bilddb/index.aspx?view=Search&mlfb=3RA2336-8XB30-1AK6&objecttype=14&gridview=view1>





last modified:

8/8/2025 