



Load feeder fuseless, Reversing duty 400 V AC, Size S00 0.55...0.80 A 24 V DC Spring-type terminal for installation on standard mounting rail (also fulfills type of coordination 1) Type of coordination 2, I<sub>q</sub> = 150 kA 1 NC (contactor)

|  |   |
|--|---|
| <b>product brand name</b>  | SIRIUS  |
| <b>product designation</b>   | Reversing starter   |
| <b>design of the product</b>   | for DIN-rail or screw mounting  |
| <b>product type designation</b>  | 3RA22   |
| <b>manufacturer's article number</b>   |   |
| <ul style="list-style-type: none"> <li>• of the supplied contactor</li> <li>• of the supplied circuit-breakers</li> <li>• of the supplied link module</li> <li>• of the supplied wiring kit</li> </ul> | <a href="#">3RT2015-2BB42</a><br><a href="#">3RV2011-0HA20</a><br><a href="#">3RA2911-2AA00</a><br><a href="#">3RA2913-2AA2</a> |
| <b>General technical data</b>  |   |
| <b>size of the circuit-breaker</b>   | S00   |
| <b>size of load feeder</b>   | S00   |
| <b>power loss [W] for rated value of the current</b>   |   |
| <ul style="list-style-type: none"> <li>• at AC in hot operating state per pole</li> <li>• without load current share typical</li> </ul>  | 2.6 W<br>4 W  |
| insulation voltage with degree of pollution 3 at AC rated value  | 690 V   |
| <b>surge voltage resistance rated value</b>  | 6 kV  |
| <b>degree of protection NEMA rating</b>  | other   |
| <b>shock resistance according to IEC 60068-2-27</b>  | 6g / 11 ms  |
| mechanical service life (operating cycles) of contactor typical  | 30 000 000  |
| <b>type of coordination</b>  | 2   |
| <b>reference code according to IEC 81346-2:2019</b>  | Q   |
| <b>Substance Prohibitance (Date)</b>   | 10/01/2009  |
| <b>SVHC substance name</b>   | Lead - 7439-92-1  |
| <b>Weight</b>  | 1.059 kg  |
| <b>Ambient conditions</b>  |   |
| <b>ambient temperature</b>   |   |
| <ul style="list-style-type: none"> <li>• during operation</li> <li>• during storage</li> <li>• during transport</li> </ul>   | -20 ... +60 °C<br>-50 ... +80 °C<br>-50 ... +80 °C  |
| <b>temperature compensation</b>  | -20 ... +60 °C  |
| relative humidity during operation   | 10 ... 95 %   |
| <b>Main circuit</b>  |   |
| <b>number of poles for main current circuit</b>  | 3   |
| <b>design of the switching contact</b>   | electromechanical   |
| <b>adjustable current response value current of the current-dependent overload release</b>   | 0.55 ... 0.8 A  |
| <b>operating voltage</b>   |   |
| <ul style="list-style-type: none"> <li>• rated value</li> <li>• at AC-3 rated value maximum</li> </ul>   | 690 V<br>690 V  |

|  |  |
|--|--|
| <ul style="list-style-type: none"> <li>at AC-3e rated value maximum</li> </ul>   | 690 V  |
| <b>operating frequency rated value</b>   | 50 ... 60 Hz                                     |
| <b>operational current</b>   |  |
| <ul style="list-style-type: none"> <li>at AC-3 at 400 V rated value</li> </ul>   | 0.8 A  |
| <ul style="list-style-type: none"> <li>at AC-3e at 400 V rated value</li> </ul>  | 0.8 A  |
| <b>operating power</b>   |  |
| <ul style="list-style-type: none"> <li>at AC-3 <ul style="list-style-type: none"> <li>at 400 V rated value</li> </ul> </li> </ul>  | 180 W  |
| <ul style="list-style-type: none"> <li>at AC-3e <ul style="list-style-type: none"> <li>at 400 V rated value</li> </ul> </li> </ul>   | 180 W  |
| <b>Control circuit/ Control</b>  |  |
| <b>type of voltage of the control supply voltage</b>   | DC   |
| <b>control supply voltage at DC rated value</b>  | 24 V   |
| <b>holding power of magnet coil at DC</b>  | 4 W  |
| <b>Auxiliary circuit</b>   |  |
| <b>product extension auxiliary switch</b>  | Yes  |
| <b>Protective and monitoring functions</b>   |  |
| <b>trip class</b>  | CLASS 10   |
| <b>design of the overload release</b>  | thermal (bimetallic)                             |
| response value current of instantaneous short-circuit trip unit  | 10 A   |
| <b>UL/CSA ratings</b>  |  |
| <b>full-load current (FLA) for 3-phase AC motor</b>  |  |
| <ul style="list-style-type: none"> <li>at 480 V rated value</li> </ul>   | 0.8 A  |
| <ul style="list-style-type: none"> <li>at 600 V rated value</li> </ul>   | 0.8 A  |
| <b>yielded mechanical performance [hp]</b>   |  |
| <ul style="list-style-type: none"> <li>for 3-phase AC motor <ul style="list-style-type: none"> <li>at 460/480 V rated value</li> </ul> </li> </ul>   | 0.5 hp   |
| <ul style="list-style-type: none"> <li>at 575/600 V rated value</li> </ul>   | 0.5 hp   |
| <b>Short-circuit protection</b>  |  |
| <b>product function short circuit protection</b>   | Yes  |
| <b>design of the short-circuit trip</b>  | magnetic   |
| <b>conditional short-circuit current (I<sub>q</sub>)</b>   |  |
| <ul style="list-style-type: none"> <li>at 400 V according to IEC 60947-4-1 rated value</li> </ul>  | 150 000 A  |
| <b>Installation/ mounting/ dimensions</b>  |  |
| <b>mounting position</b>   | vertical   |
| <b>fastening method</b>  | screw and snap-on mounting onto 35 mm DIN rail   |
| <b>height</b>  | 204 mm   |
| <b>width</b>   | 90 mm  |
| <b>depth</b>   | 97 mm  |
| <b>required spacing</b>  |  |
| <ul style="list-style-type: none"> <li>for grounded parts <ul style="list-style-type: none"> <li>forwards</li> <li>backwards</li> <li>upwards</li> <li>at the side</li> <li>downwards</li> </ul> </li> </ul> | 32 mm<br>0 mm<br>50 mm<br>10 mm<br>10 mm         |
| <ul style="list-style-type: none"> <li>for live parts <ul style="list-style-type: none"> <li>forwards</li> <li>backwards</li> <li>upwards</li> <li>downwards</li> <li>at the side</li> </ul> </li> </ul>     | 32 mm<br>0 mm<br>50 mm<br>10 mm<br>10 mm         |
| <b>Connections/ Terminals</b>  |  |
| <b>type of electrical connection</b>   |  |
| <ul style="list-style-type: none"> <li>for main current circuit</li> </ul>   | spring-loaded terminals                          |
| <ul style="list-style-type: none"> <li>for auxiliary and control circuit</li> </ul>  | spring-loaded terminals                          |
| <b>Safety related data</b>   |  |
| product function suitable for safety function  | Yes  |
| <b>Electrical Safety</b>   |  |
| <b>touch protection on the front according to IEC 60529</b>  | finger-safe, for vertical contact from the front |

## Communication/ Protocol

|   |    |
|---|----|
| <b>protocol is supported</b>                |    |
| • PROFINET IO protocol                      | No |
| • PROFIsafe protocol                        | No |
| protocol is supported AS-Interface protocol | No |

## Approvals Certificates

|   |                                       |  |
|---|---------------------------------------|--|
| <b>General Product Approval</b>   | <b>For use in hazardous locations</b> | <b>Test Certificates</b>                           |
|      |                                       | <a href="#">Type Test Certificates/Test Report</a> |

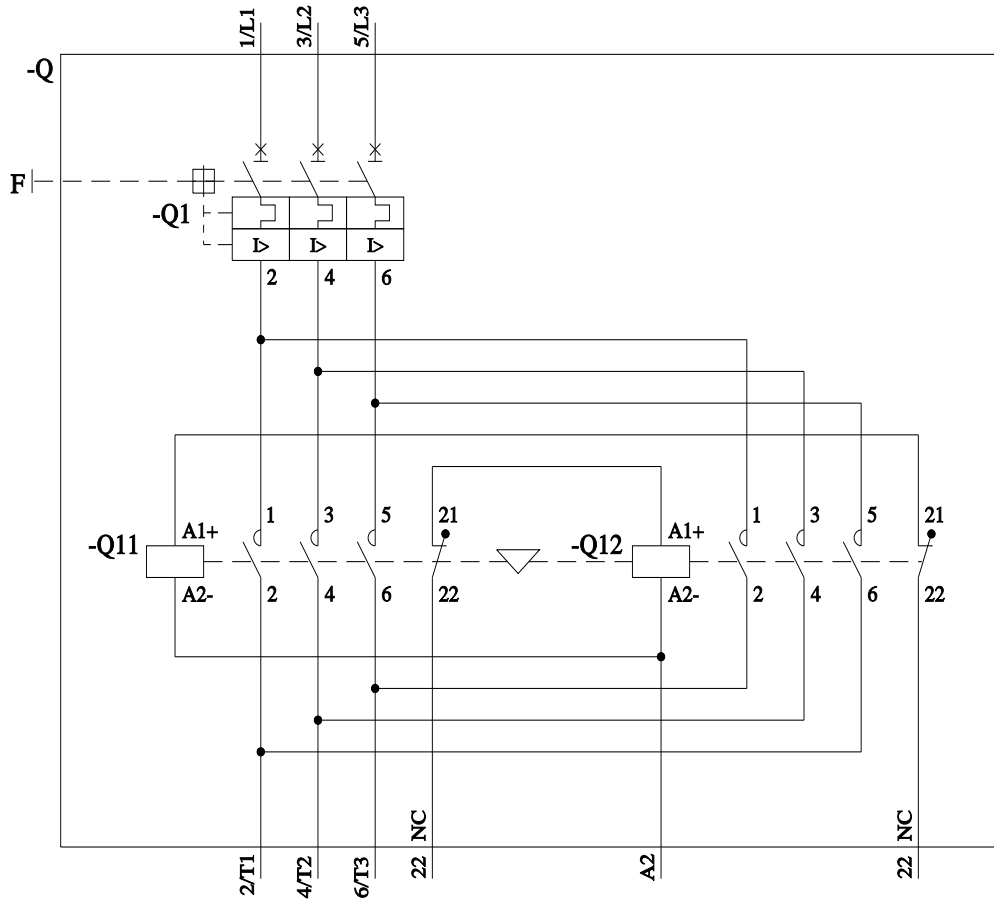
|  |   |
|--|---|
| <b>Test Certificates</b>                 | <b>Maritime application</b>   |
| <a href="#">Special Test Certificate</a> |      |

|   |   |                              |  |
|---|---|------------------------------|--|
| <b>Maritime application</b>   | <b>other</b>  | <b>Railway</b>               | <b>Dangerous goods</b>                   |
|   |  | <a href="#">Confirmation</a> | <a href="#">Special Test Certificate</a> |
|   |   |                              | <a href="#">Transport Information</a>    |

|   |
|---|
| <b>Environment</b>                          |
| <a href="#">Environmental Confirmations</a> |

## Further information

**Information on the packaging**  
<https://support.industry.siemens.com/cs/ww/en/view/109813875>  
**Information for data generation and storage**  
<https://support.industry.siemens.com/cs/ww/en/view/109995012>  
**Information- and Downloadcenter (Catalogs, Brochures,...)**  
<https://www.siemens.com/ic10>  
**Industry Mall (Online ordering system)**  
<https://mall.industry.siemens.com/mall/en/en/Catalog/product?mlfb=3RA2210-0HE15-2BB4>  
**Cax online generator**  
<https://support.automation.siemens.com/WW/CAXorder/default.aspx?lang=en&mlfb=3RA2210-0HE15-2BB4>  
**Service&Support (Manuals, Certificates, Characteristics, FAQs,...)**  
<https://support.industry.siemens.com/cs/ww/en/ps/3RA2210-0HE15-2BB4>  
**Image database (product images, 2D dimension drawings, 3D models, device circuit diagrams, EPLAN macros, ...)**  
[https://www.automation.siemens.com/bilddb/cax\\_de.aspx?mlfb=3RA2210-0HE15-2BB4&lang=en](https://www.automation.siemens.com/bilddb/cax_de.aspx?mlfb=3RA2210-0HE15-2BB4&lang=en)  
**Characteristic: Tripping characteristics, I<sup>2</sup>t, Let-through current**  
<https://support.industry.siemens.com/cs/ww/en/ps/3RA2210-0HE15-2BB4/char>  
**Further characteristics (e.g. electrical endurance, switching frequency)**  
<https://www.automation.siemens.com/bilddb/index.aspx?view=Search&mlfb=3RA2210-0HE15-2BB4&objecttype=14&gridview=view1>



last modified:

4/1/2025