

HRC Terminal cover for 1-pole HRC fuse base Sz. 2 universal

Model	
product brand name	SENTRON
product designation	LV HRC contact cover
design of the product	for LV HRC fuse base, 1-pole, frame size 2
General technical data	
size of fuse link	NH2
Accessories	
accessories	LV HRC contact cover
Mechanical Design	
height	96 mm
width	58 mm
depth	94 mm
Net Weight	88 g
Approvals Certificates	
General Product Approval	other Environment



EG-Konf.

[Confirmation](#)



[Environmental Confirmations](#)

### Further information

#### Information on the packaging

<https://support.industry.siemens.com/cs/ww/en/view/109813875>

#### Information for data generation and storage

<https://support.industry.siemens.com/cs/ww/en/view/109995012>

#### Information- and Downloadcenter (Catalogs, Brochures,...)

<https://www.siemens.com/lowvoltage/catalogs>

#### Industry Mall (Online ordering system)

<https://mall.industry.siemens.com/mall/en/en/Catalog/product?mlfb=3NX3142>

#### Service&Support (Manuals, Certificates, Characteristics, FAQs,...)

<https://support.industry.siemens.com/cs/ww/en/ps/3NX3142>

#### Image database (product images, 2D dimension drawings, 3D models, device circuit diagrams, ...)

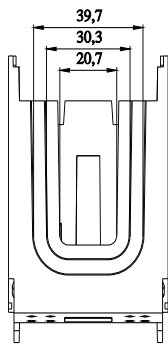
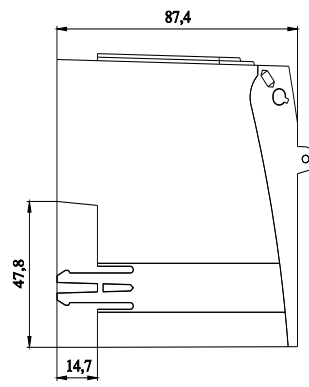
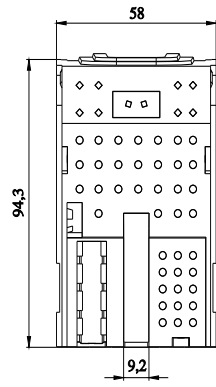
[https://www.automation.siemens.com/bilddb/cax\\_en.aspx?mlfb=3NX3142](https://www.automation.siemens.com/bilddb/cax_en.aspx?mlfb=3NX3142)

#### CAx-Online-Generator

<https://www.siemens.com/cax>

#### Tender specifications

<https://www.siemens.com/specifications>



---

last modified:

8/7/2025 

