




SETRON, fuse holder, Class CC, 3-pole, In: 30 A, Un AC: 600 V, respect national installation rules!

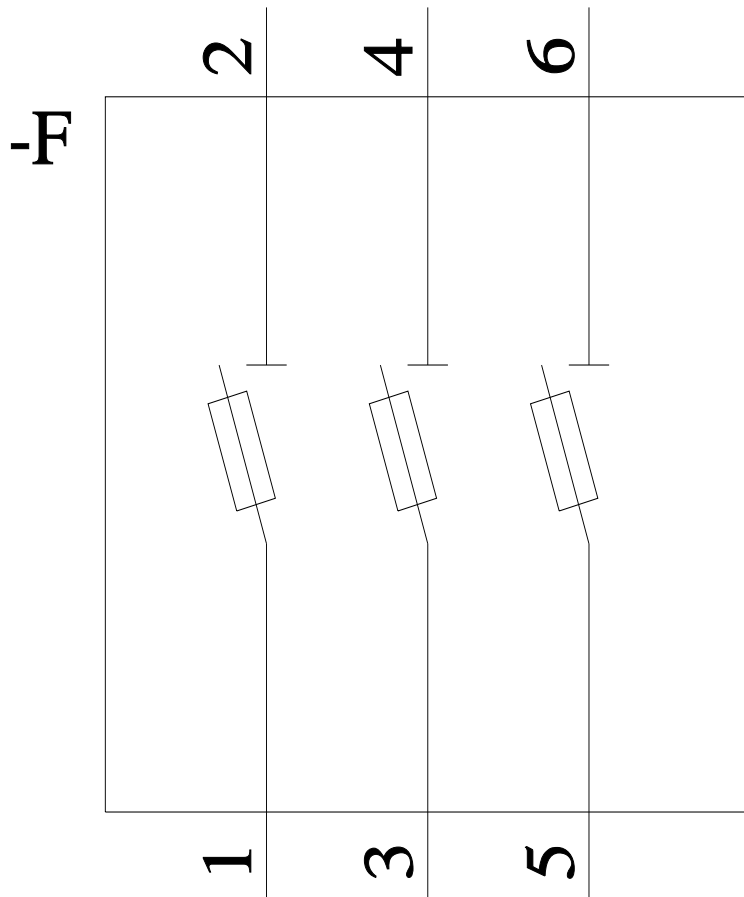
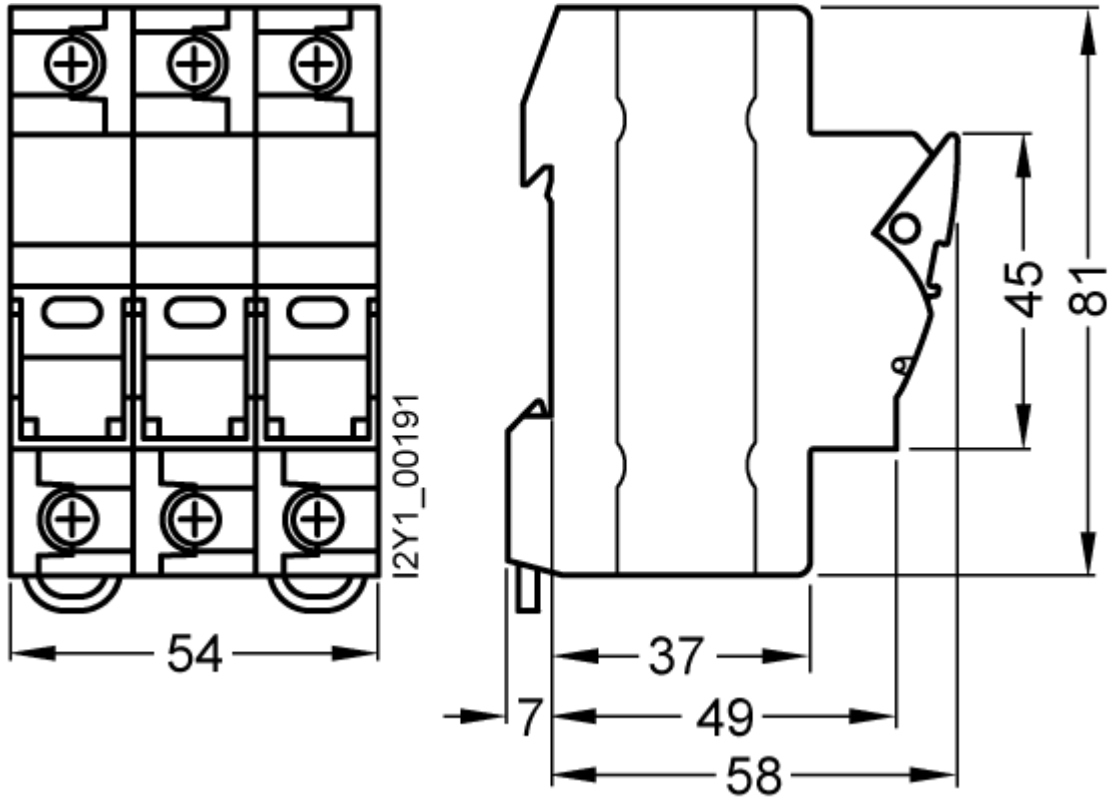
Model	
product brand name	SETRON
product designation	Fuse holder
General technical data	
number of poles	3
size of fuse link	Class CC
Supply voltage	
operating voltage	
• at AC rated value	600 V
protection class IP	IP20
Mechanical Design	
height	85 mm
width	54 mm
depth	65 mm
Net Weight	153 g
Certificates	
reference code according to IEC 81346-2	F
Approvals Certificates	
General Product Approval	



Test Certificates	other	Environment
<a href="#">Miscellaneous</a>		<a href="#">Confirmation</a>
		<a href="#">Environmental Confirmations</a>

**Further information**

- Information on the packaging  
<https://support.industry.siemens.com/cs/ww/en/view/109813875>
- Information for data generation and storage  
<https://support.industry.siemens.com/cs/ww/en/view/109995012>
- Information- and Downloadcenter (Catalogs, Brochures,...)  
<http://www.siemens.com/lowvoltage/catalogs>
- Industry Mall (Online ordering system)  
<https://mall.industry.siemens.com/mall/en/en/Catalog/product?mifb=3NW7533-0HG>



---

last modified:

4/11/2025 

