



Mounting kit, for creation 1-pole 3NP1 for mounting on 60 mm busbar system 8US for Size NH00 with box terminal, accessory for fuse switch disconnecter 3NP1

Model	
product brand name	SENTRON
product designation	mounting set
design of the product	accessories for 3NP1 fuse switch disconnectors
suitability for use	for 3NP1, 1-pole, NH00, box terminal, for floor mounting
Accessories	
accessories	assembly kit
Mechanical Design	
Net Weight	328 g
Approvals Certificates	
General Product Approval	Maritime application other



[Miscellaneous](#)



other	Environment
-------	-------------

[Confirmation](#)

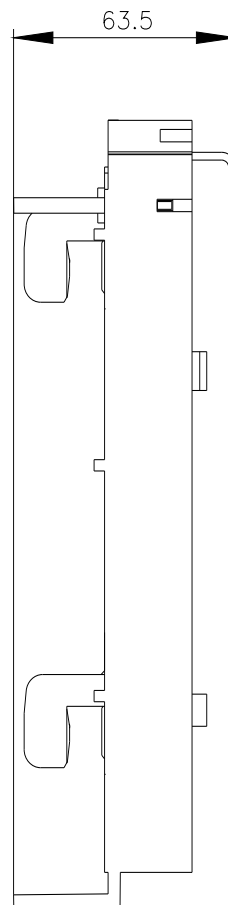
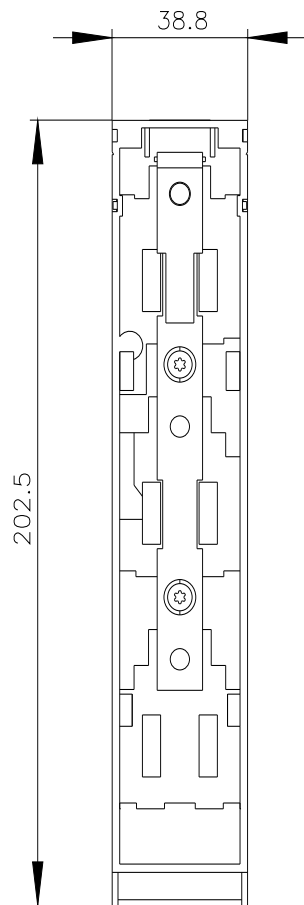


[Environmental Con-
firmations](#)

[Environmental Con-
firmations](#)

Further information

- Information on the packaging
<https://support.industry.siemens.com/cs/ww/en/view/109813875>
- Information for data generation and storage
<https://support.industry.siemens.com/cs/ww/en/view/109995012>
- Information- and Downloadcenter (Catalogs, Brochures,...)
<http://www.siemens.com/lowvoltage/catalogs>
- Industry Mall (Online ordering system)
<https://mall.industry.siemens.com/mall/en/en/Catalog/product?mlfb=3NP1931-1EE10>
- Service&Support (Manuals, Certificates, Characteristics, FAQs,...)
<https://support.industry.siemens.com/cs/ww/en/ps/3NP1931-1EE10>
- Image database (product images, 2D dimension drawings, 3D models, device circuit diagrams, ...)
http://www.automation.siemens.com/bilddb/cax_en.aspx?mlfb=3NP1931-1EE10
- CAX-Online-Generator
<http://www.siemens.com/cax>
- Tender specifications
<http://www.siemens.com/specifications>



last modified:

4/12/2025 

