



Locking device, mechanical interlocking, Accessory for fuse Switch disconnector 3NP1 Contains 10 units

Model		
product brand name	SENTRON	
product designation	padlock device	
design of the product	accessories for 3NP1 fuse switch disconnectors	
suitability for use	for 3NP1, 3-pole, NH000, NH00, NH1, NH2, NH3	
Accessories		
accessories	Mechanical interlock	
Mechanical Design		
Net Weight	23 g	
Approvals Certificates		
General Product Approval	Test Certificates	Maritime application



EG-Konf.



[Miscellaneous](#)



[Type Test Certificates/Test Report](#)



DNV

other	Environment
-------	-------------



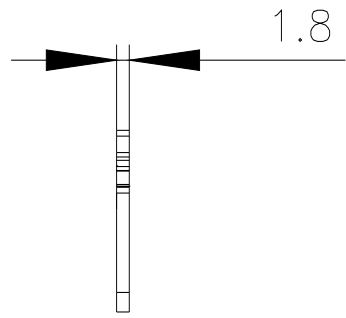
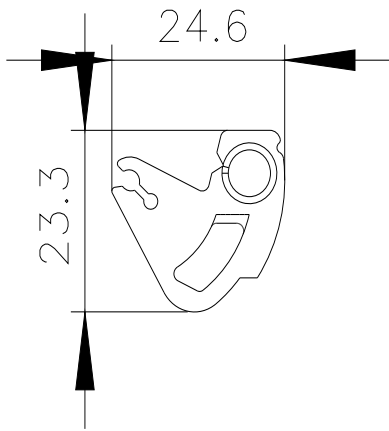
[Confirmation](#)

[Environmental Confirmations](#)

[Environmental Confirmations](#)

Further information

- Information on the packaging
<https://support.industry.siemens.com/cs/ww/en/view/109813875>
- Information for data generation and storage
<https://support.industry.siemens.com/cs/ww/en/view/109995012>
- Information- and Downloadcenter (Catalogs, Brochures,...)
<http://www.siemens.com/lowvoltage/catalogs>
- Industry Mall (Online ordering system)
<https://mall.industry.siemens.com/mall/en/en/Catalog/product?mlfb=3NP1900-1HA00>
- Service&Support (Manuals, Certificates, Characteristics, FAQs,...)
<https://support.industry.siemens.com/cs/ww/en/ps/3NP1900-1HA00>
- Image database (product images, 2D dimension drawings, 3D models, device circuit diagrams, ...)
http://www.automation.siemens.com/bilddb/cax_en.aspx?mlfb=3NP1900-1HA00
- CAX-Online-Generator
<http://www.siemens.com/cax>
- Tender specifications
<http://www.siemens.com/specifications>



last modified:

4/12/2025 

