



SENTRON, Fuse switch disconnecter 3NP1, 3-pole, NH000 narrow, 125 A, for assembly and installation on Mounting plate, box terminal, Cover level 45 mm

Model	
product designation	Fuse switch disconnecter
design of the safety monitoring	Without
design of the load switch strip form	No
type of the driving mechanism motor drive	No
General technical data	
number of poles	3
type of device	For assembly and installation on mounting plate
size of disconnecting link	0
size of fuse link	NH000
mechanical service life (operating cycles) typical	2 000
power factor	
• at AC-22 B	0.65
• at AC-23 B	0.35
fuse system	LV HRC fuse
degree of pollution	2
Voltage	
insulation voltage	
• rated value	800 V
• with degree of pollution 2 at AC rated value	800 V
power factor at AC-21 B	0.95
surge voltage resistance rated value	6 kV
• operational current	
— at 35 °C rated value	125 A
— at 40 °C rated value	111 A
— at 45 °C rated value	95 A
— at 50 °C rated value	76 A
— at 55 °C rated value	51 A
• operational current	
— at AC-21 B at 240 V rated value	125 A
— at AC-21 B at 400 V rated value	125 A
— at AC-21 B at 500 V rated value	125 A
— at AC-21 B at 690 V rated value	80 A
— at AC-22 B at 240 V rated value	125 A
— at AC-22 B at 400 V rated value	125 A
— at AC-22 B at 500 V rated value	125 A
— at AC-23 B at 400 V rated value	125 A
— at AC-23 B at 240 V rated value	125 A
operating voltage	

<ul style="list-style-type: none"> at AC rated value maximum 	690 V
Protection class	
protection class IP	
<ul style="list-style-type: none"> with closed switch with cover or cable lug cover 	IP30
<ul style="list-style-type: none"> with closed switch without cover or cable lug cover 	IP10
<ul style="list-style-type: none"> open 	IP10
Dissipation	
power loss [W]	
<ul style="list-style-type: none"> with conventional rated thermal current without fuse per pole 	3.6 W
<ul style="list-style-type: none"> with conventional rated thermal current without fuse per device 	10.8 W
<ul style="list-style-type: none"> for rated value of the current at AC in hot operating state per pole 	10.7 W
<ul style="list-style-type: none"> of the fuse per fuse maximum 	9 W
Main circuit	
operational current	
<ul style="list-style-type: none"> rated value 	125 A
Auxiliary circuit	
number of CO contacts for auxiliary contacts	0
number of NC contacts for auxiliary contacts	0
number of NO contacts for auxiliary contacts	0
Suitability	
suitability for use main switch	No
suitability for use switch disconnecter	Yes
suitability for use EMERGENCY OFF switch	No
suitability for use safety switch	Yes
suitability for use maintenance/repair switch	Yes
Product details	
product function phase failure monitoring	No
product component	
<ul style="list-style-type: none"> undervoltage release 	No
<ul style="list-style-type: none"> undervoltage release with leading contact 	No
product feature sealable	Yes
product extension auxiliary switch	Yes
product extension optional locking capability	Yes
product extension optional phase failure monitoring	No
product extension optional fuse monitoring	No
product extension optional voltage trigger	No
product extension optional overvoltage protection monitoring	No
Product function	
product function overvoltage protection monitoring	No
Short circuit	
conditional short-circuit current (I_q)	
<ul style="list-style-type: none"> at AC at 240 V with high-speed activation rated value 	80 kA
<ul style="list-style-type: none"> at AC at 500 V with high-speed activation rated value 	120 kA
<ul style="list-style-type: none"> at AC at 690 V with high-speed activation rated value 	80 kA
<ul style="list-style-type: none"> with closed switch at AC at 240 V rated value 	80 kA
<ul style="list-style-type: none"> with closed switch at AC at 500 V rated value 	80 kA
<ul style="list-style-type: none"> with closed switch at AC at 690 V rated value 	80 kA
Connections	
arrangement of electrical connectors for main current circuit	other
connectable conductor cross-section for main contacts	
<ul style="list-style-type: none"> solid or stranded minimum 	1.5 mm ²
<ul style="list-style-type: none"> solid or stranded maximum 	50 mm ²
<ul style="list-style-type: none"> finely stranded with core end processing minimum 	1.5 mm ²
<ul style="list-style-type: none"> finely stranded with core end processing maximum 	35 mm ²
<ul style="list-style-type: none"> stranded minimum 	16 mm ²
<ul style="list-style-type: none"> stranded maximum 	50 mm ²
tightening torque with screw-type terminals	

<ul style="list-style-type: none"> • minimum 	4 N·m
<ul style="list-style-type: none"> • maximum 	5 N·m
type of connectable conductor cross-sections of the laminated conductors maximum	6 x (9 x 0.8) mm
type of connection technology	Box terminal

Mechanical Design

height	216 mm
width	53 mm
depth	89 mm
fastening method	mounting plate
fastening method	
<ul style="list-style-type: none"> • floor mounting 	Yes
<ul style="list-style-type: none"> • rail mounting 	No
mounting position	horizontal/vertical
Net Weight	620 g

Environmental conditions

ambient temperature during operation	
<ul style="list-style-type: none"> • minimum 	-25 °C
<ul style="list-style-type: none"> • maximum 	70 °C
ambient temperature during storage	
<ul style="list-style-type: none"> • minimum 	-50 °C
<ul style="list-style-type: none"> • maximum 	80 °C

Certificates

reference code according to IEC 81346-2	Q
--	---

Approvals Certificates

General Product Approval	Test Certificates	other
---------------------------------	--------------------------	--------------



[Miscellaneous](#)



[Type Test Certificates/Test Report](#)

[Confirmation](#)

other	Environment
--------------	--------------------



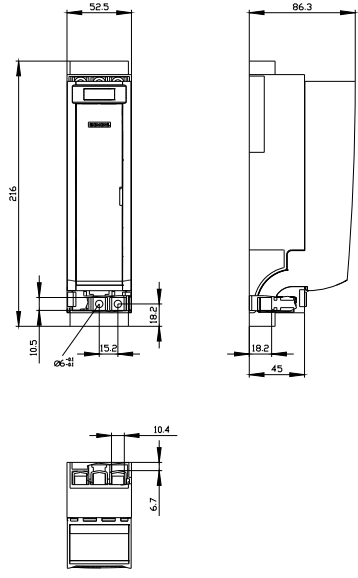
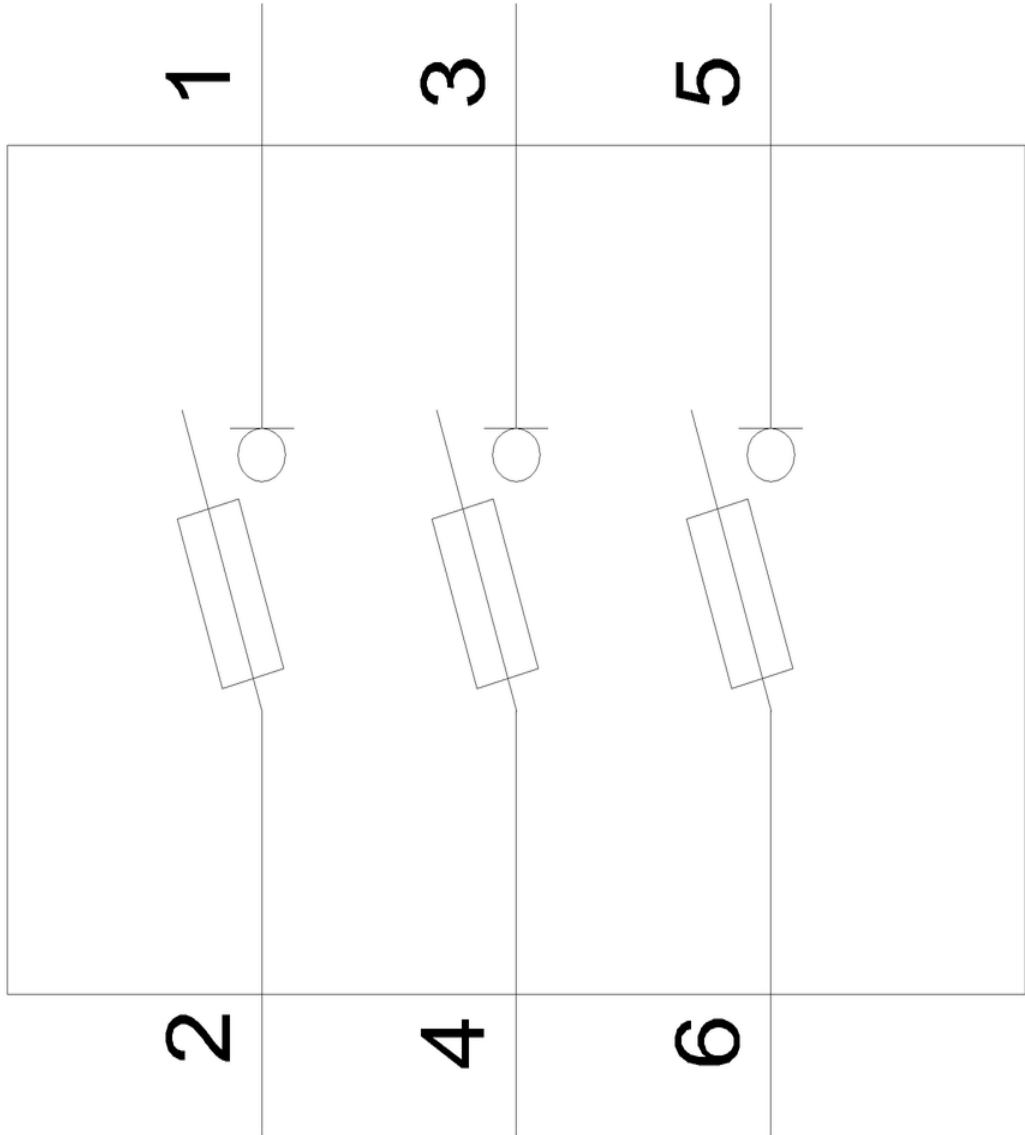
[Environmental Confirmations](#)

[Environmental Confirmations](#)

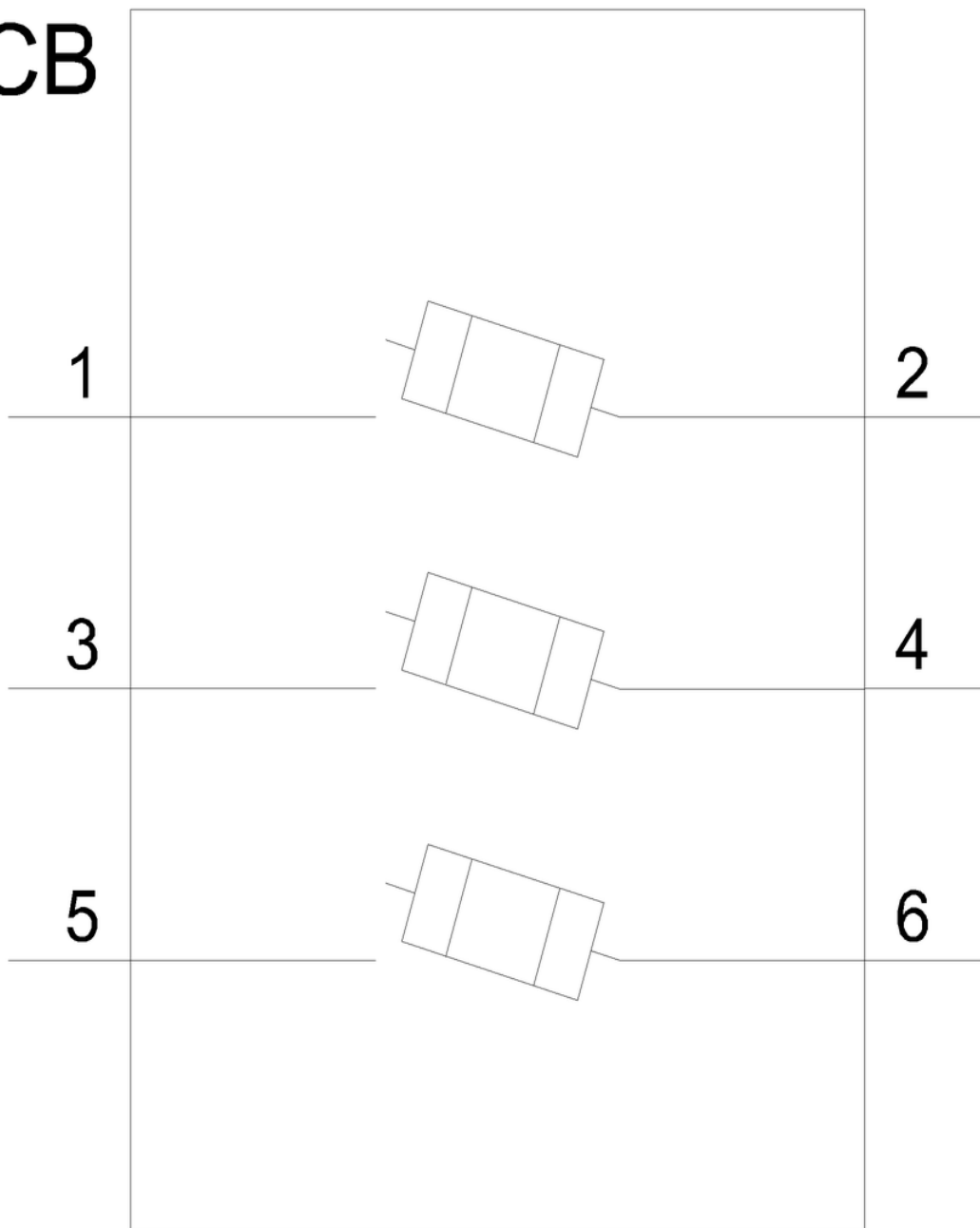
Further information

- Information on the packaging
<https://support.industry.siemens.com/cs/ww/en/view/109813875>
- Information for data generation and storage
<https://support.industry.siemens.com/cs/ww/en/view/109995012>
- Information- and Downloadcenter (Catalogs, Brochures,...)
<http://www.siemens.com/lowvoltage/catalogs>
- Industry Mall (Online ordering system)
<https://mall.industry.siemens.com/mall/en/en/Catalog/product?mlfb=3NP1113-1CA20>
- Service&Support (Manuals, Certificates, Characteristics, FAQs,...)
<https://support.industry.siemens.com/cs/ww/en/ps/3NP1113-1CA20>
- Image database (product images, 2D dimension drawings, 3D models, device circuit diagrams, ...)
http://www.automation.siemens.com/bilddb/cax_en.aspx?mlfb=3NP1113-1CA20
- CAX-Online-Generator
<http://www.siemens.com/cax>
- Tender specifications
<http://www.siemens.com/specifications>

Q



CB



last modified:

4/10/2025 

