



HRC fuse base plastic Sz. 1 3-pole 250A 690V flat terminal

Model			
product brand name	SENTRON		
product designation	LV HRC fuse base		
design of the thread of the nut	M10		
design of the thread of the connection screw	M10		
General technical data			
number of poles	3		
size of fuse system according to EN 60269-1	NH1		
utilization category	Without		
Supply voltage			
supply voltage			
• at AC	690 V		
• at DC	690 V		
Product details			
product component swivel-in mechanism	No		
maximum short-circuit current breaking capacity (I <sub>cu</sub> )			
• at AC rated value	120 kA		
• at DC rated value	120 kA		
Connections			
connectable conductor cross-section on terminal strip			
• minimum	25 mm <sup>2</sup>		
• maximum	150 mm <sup>2</sup>		
tightening torque of the screw for securing the equipment maximum	6 N·m		
tightening torque with screw-type terminals maximum	32 N·m		
type of electrical connection	With flat-type terminal		
• for main current circuit	with flat-type terminal		
Mechanical Design			
height	241 mm		
width	192 mm		
depth	103 mm		
fastening method	fixed mounting		
fastening method bus-mounting	No		
Net Weight	1.29 kg		
Approvals Certificates			
General Product Approval	Maritime application	other	Environment



Confirmation



### Environment

[Environmental Confirmations](#)

### Further information

Information on the packaging

<https://support.industry.siemens.com/cs/ww/en/view/109813875>

Information for data generation and storage

<https://support.industry.siemens.com/cs/ww/en/view/109995012>

Information- and Downloadcenter (Catalogs, Brochures,...)

<https://www.siemens.com/lowvoltage/catalogs>

Industry Mall (Online ordering system)

<https://mall.industry.siemens.com/mall/en/en/Catalog/product?mlfb=3NH2230>

Service&Support (Manuals, Certificates, Characteristics, FAQs,...)

<https://support.industry.siemens.com/cs/ww/en/ps/3NH2230>

Image database (product images, 2D dimension drawings, 3D models, device circuit diagrams, ...)

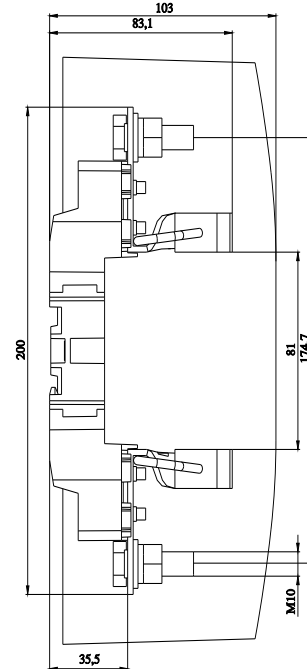
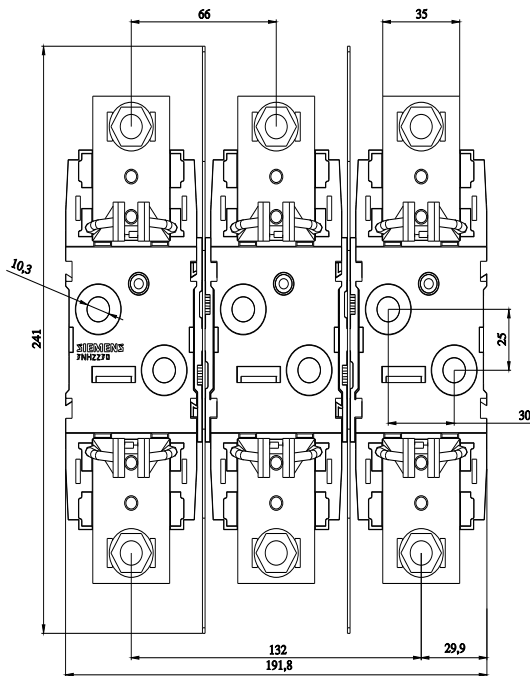
[https://www.automation.siemens.com/bilddb/cax\\_en.aspx?mlfb=3NH2230](https://www.automation.siemens.com/bilddb/cax_en.aspx?mlfb=3NH2230)

CAX-Online-Generator

<https://www.siemens.com/cax>

Tender specifications

<https://www.siemens.com/specifications>



last modified:

8/8/2025



