

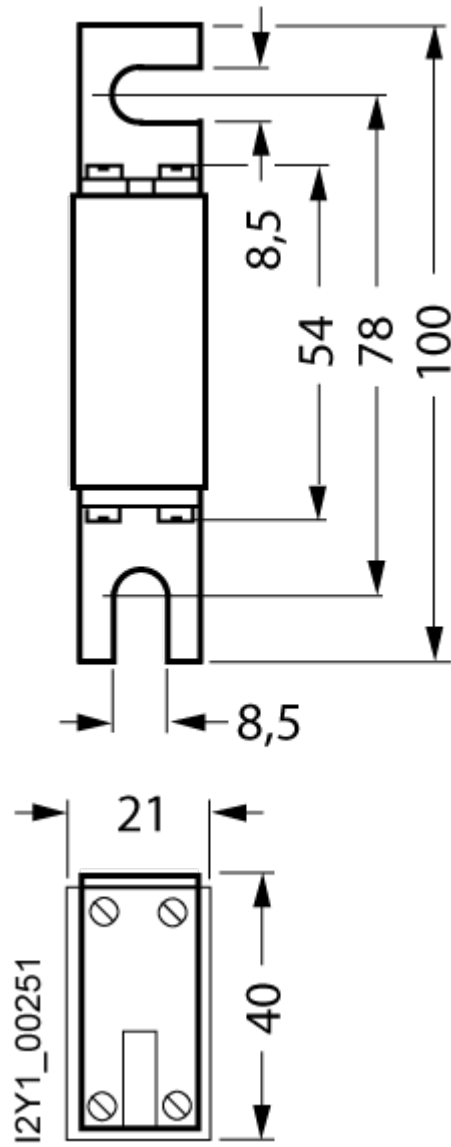


SITOR fuse link, with Bolt-on links, NH000, In: 25 A, gR, Un AC: 690 V, Un DC: 440 V, front indicator

Figure similar

Model	
product brand name	SENTRON
product designation	SITOR fuse link
design of the product	with angle connector
design of an identification indicator	front indicator
design of the switching contact	with M8 bolt-on links. mounting dimension: 80 mm. for screwing onto busbars
design of the fuse link	SITOR, LV HRC design
General technical data	
size of fuse system according to EN 60269-1	NH000
operating class of the fuse link	gR
varying load factor (WL)	0.9
type of voltage of the operating voltage	AC/DC
operating voltage at AC according to UL rated value	690 V
Supply voltage	
supply voltage	
• at AC	690 V
• at DC	440 V
Breaking Capacity	
switching capacity current	
• at DC according to IEC 60947-2 rated value	50 kA
• according to IEC 60947-2 rated value	200 kA
Dissipation	
power loss [W]	9 W
power loss [W]	
• for rated value of the current at AC in hot operating state per pole	9 W
• maximum	9 W
Product details	
product description	with bolt-on links, silver-plated
accessories included	no
Mechanical Design	
mounting position	Any, preferably vertical
Net Weight	143 g
Environmental conditions	
ambient temperature during operation	
• minimum	-20 °C
• maximum	50 °C
environmental category	-20 to +50 at 95% relative humidity
Approvals Certificates	

[Confirmation](#)**Environment**[Environmental Confirmations](#)[Environmental Confirmations](#)**Further information****Information on the packaging**<https://support.industry.siemens.com/cs/ww/en/view/109813875>**Information for data generation and storage**<https://support.industry.siemens.com/cs/ww/en/view/109995012>**Information- and Downloadcenter (Catalogs, Brochures,...)**<http://www.siemens.com/lowvoltage/catalogs>**Industry Mall (Online ordering system)**<https://mall.industry.siemens.com/mall/en/en/Catalog/product?mlfb=3NE8715-1>**Service&Support (Manuals, Certificates, Characteristics, FAQs,...)**<https://support.industry.siemens.com/cs/ww/en/ps/3NE8715-1>**Image database (product images, 2D dimension drawings, 3D models, device circuit diagrams, ...)**http://www.automation.siemens.com/bilddb/cax_en.aspx?mlfb=3NE8715-1**CAX-Online-Generator**<http://www.siemens.com/cax>**Tender specifications**<http://www.siemens.com/specifications>



last modified:

4/11/2025 

