



SITOR fuse link, with blade contacts, NH3, In: 800 A, gR, Un AC: 600 V, Un DC: 440 V, front indicator

Figure similar

| Model | |
|--|---|
| product brand name | SETRON |
| product designation | SITOR fuse link |
| design of the product | with blade contacts without slots |
| design of an identification indicator | front indicator |
| design of the switching contact | with blade contacts for mounting in LV HRC fuse bases or switch disconnectors |
| design of the fuse link | SITOR, LV HRC design |
| General technical data | |
| size of fuse system according to EN 60269-1 | NH3 |
| operating class of the fuse link | gR |
| varying load factor (WL) | 1 |
| type of voltage of the operating voltage | AC/DC |
| operating voltage at AC according to UL rated value | 600 V |
| Supply voltage | |
| supply voltage | |
| • at AC | 600 V |
| • at DC | 440 V |
| Breaking Capacity | |
| switching capacity current | |
| • according to IEC 60947-2 rated value | 100 kA |
| Dissipation | |
| power loss [W] | 72 W |
| power loss [W] | |
| • for rated value of the current at AC in hot operating state per pole | 72 W |
| • maximum | 72 W |
| Product details | |
| product description | with blade contacts, silver-plated |
| accessories included | no |
| Mechanical Design | |
| mounting position | Any, preferably vertical |
| Net Weight | 1.152 kg |
| Environmental conditions | |
| ambient temperature during operation | |
| • minimum | -20 °C |
| • maximum | 50 °C |
| environmental category | -20 to +50 at 95% relative humidity |
| Approvals Certificates | |
| General Product Approval | Test Certificates |



[Special Test Certificate](#)

other

Environment



[Confirmation](#)

[Miscellaneous](#)

[Environmental Confirmations](#)

[Environmental Confirmations](#)

Further information

Information on the packaging

<https://support.industry.siemens.com/cs/ww/en/view/109813875>

Information for data generation and storage

<https://support.industry.siemens.com/cs/ww/en/view/109995012>

Information- and Downloadcenter (Catalogs, Brochures,...)

<http://www.siemens.com/lowvoltage/catalogs>

Industry Mall (Online ordering system)

<https://mall.industry.siemens.com/mall/en/en/Catalog/product?mlfb=3NE1438-1>

Service&Support (Manuals, Certificates, Characteristics, FAQs,...)

<https://support.industry.siemens.com/cs/ww/en/ps/3NE1438-1>

Image database (product images, 2D dimension drawings, 3D models, device circuit diagrams, ...)

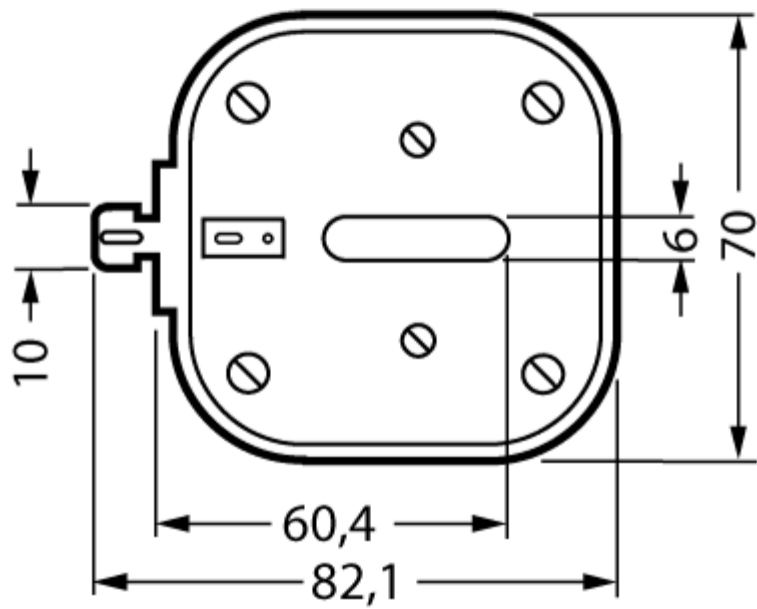
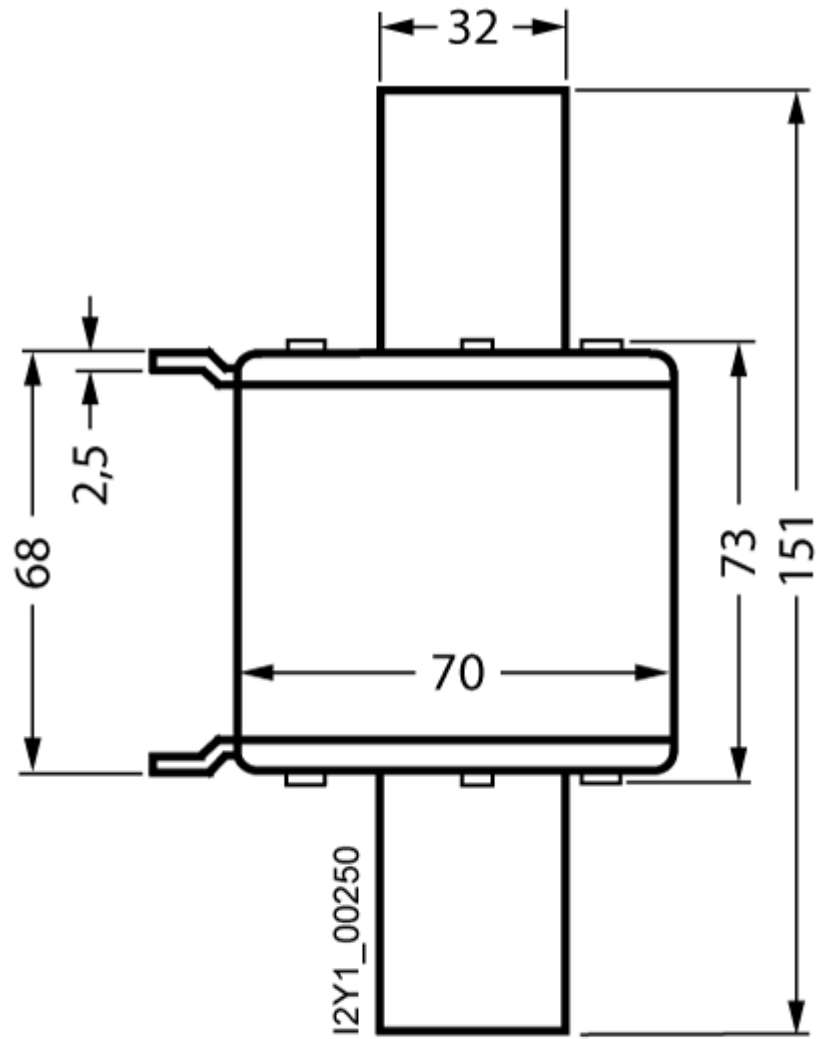
http://www.automation.siemens.com/bilddb/cax_en.aspx?mlfb=3NE1438-1

CAX-Online-Generator

<http://www.siemens.com/cax>

Tender specifications

<http://www.siemens.com/specifications>



last modified:

4/11/2025 

