



rotary operating mechanism, black 66x66 mm ground plate mounting Central hole mounting 22.5mm for shaft 6x6 mm, accessory for Load disconnector 3LD3

| Model  |   |
|--|---|
| product brand name                                 | SETRON                                    |
| product designation                                | Rotary operators                          |
| design of the product                              | accessories for 3LD3 switch disconnectors |
| degree of protection NEMA rating                   | 1, 3R, 4X, 12                             |
| suitability for use switch disconnector            | Yes                                       |
| suitability for use circuit breaker                | No  |
| suitability for use EMERGENCY OFF switch           | No  |
| color  | black                                     |
| • of the actuating element                         | black                                     |
| product feature can be locked in ON position       | No  |
| • Product component with axis                      | No  |
| • product component restart inhibit function block | No  |
| • product component padlock locking mechanism      | No  |
| • product component key lock                       | No  |
| product feature can be locked into OFF position    | Yes                                       |
| number of bracket locks maximum                    | 3   |
| hasp thickness of the bracket locks                | 4 ... 8 mm                                |
| Net Weight   | 96 g                                      |

| Approvals Certificates   |       |             |
|--------------------------|-------|-------------|
| General Product Approval | other | Environment |



[Confirmation](#)

[Environmental Con-  
firmations](#)

[Environmental Con-  
firmations](#)

### Further information

Information on the packaging

<https://support.industry.siemens.com/cs/ww/en/view/109813875>

Information for data generation and storage

<https://support.industry.siemens.com/cs/ww/en/view/109995012>

Information- and Downloadcenter (Catalogs, Brochures,...)

<https://www.siemens.com/lowvoltage/catalogs>

Industry Mall (Online ordering system)

<https://mall.industry.siemens.com/mall/en/en/Catalog/product?mlfb=3LD9344-2C>

Service&Support (Manuals, Certificates, Characteristics, FAQs,...)

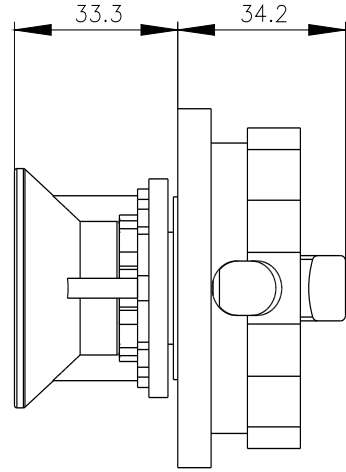
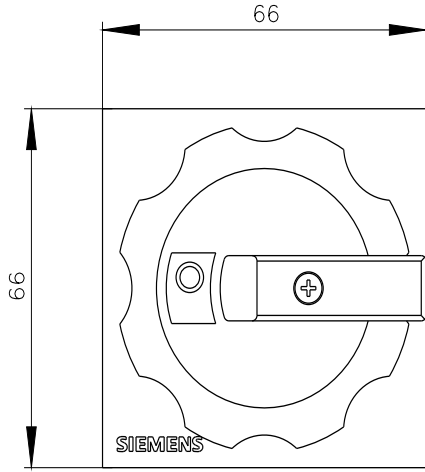
<https://support.industry.siemens.com/cs/ww/en/ps/3LD9344-2C>

Image database (product images, 2D dimension drawings, 3D models, device circuit diagrams, ...)

[https://www.automation.siemens.com/bilddb/cax\\_en.aspx?mlfb=3LD9344-2C](https://www.automation.siemens.com/bilddb/cax_en.aspx?mlfb=3LD9344-2C)

CAx-Online-Generator

<https://www.siemens.com/cax>



---

last modified:

10/25/2025

