



SENTRON 3LD5 switch disconnecter UL, EMERGENCY-OFF switch, 3-pole, approved according to UL 489, UL 60947-4-1 and IEC 60947-3, UL: 150 A, SCCR 50 kA at 480 V AC, operational power @ 480 V AC 3-phase: 100 hp, IEC: 160 A, operational power at AC-23 A at 400 V: 75 kW, floor mounting with direct operating mechanism, red/yellow including terminal covers for the infeed side

| Model   |                                     |
|---|-------------------------------------|
| product brand name  | SENTRON                             |
| product designation   | Switch disconnecter                 |
| design of the product   | EMERGENCY-STOP switch               |
| display version for switch position indicator manual operation                      | 1 ON - 0 OFF                        |
| type of switch  | Floor mounting with direct drive    |
| design of the actuating element   | selector switch                     |
| color of the actuating element  | red                                 |
| design of handle  | knob-operated mechanism, red/yellow |
| type of the driving mechanism motor drive   | No                                  |
| General technical data  |                                     |
| number of poles   | 3                                   |
| size of switch disconnecter   | 3                                   |
| mechanical service life (operating cycles) typical                                  | 100 000                             |
| electrical endurance (operating cycles)   |                                     |
| • at AC-23 A at 690 V   | 6 000                               |
| operating frequency maximum   | 50 1/h                              |
| degree of pollution   | 3                                   |
| Voltage   |                                     |
| insulation voltage rated value  | 690 V                               |
| surge voltage resistance rated value  | 6 kV                                |
| operating voltage   |                                     |
| • at AC rated value   | 690 V                               |
| operating frequency rated value   |                                     |
| • minimum   | 50 Hz                               |
| • maximum   | 60 Hz                               |
| Protection class  |                                     |
| protection class IP   | IP00                                |
| protection class IP on the front  | IP00                                |
| Dissipation   |                                     |
| power loss [W] for rated value of the current at AC in hot operating state per pole | 36 W                                |
| Main circuit  |                                     |
| operational current   |                                     |
| • at AC-21 at 690 V rated value   | 160 A                               |
| • at AC-21 A at 240 V rated value   | 160 A                               |
| • at AC-21 A at 400 V rated value   | 160 A                               |
| • at AC-21 A at 440 V rated value   | 160 A                               |
| • at AC-23 A at 400 V rated value   | 160 A                               |

|   |  |
|---|--|
| <b>operating power</b>  |  |
| <ul style="list-style-type: none"> <li>• at AC-23 A at 240 V rated value</li> <li>• at AC-23 A at 440 V rated value</li> <li>• at AC-23 A at 690 V rated value</li> <li>• at AC-3 at 240 V rated value</li> <li>• at AC-3 at 400 V rated value</li> <li>• at AC-3 at 690 V rated value</li> </ul> | 45 kW<br>75 kW<br>55 kW<br>45 kW<br>75 kW<br>45 kW                         |
| <b>Auxiliary circuit</b>  |  |
| number of CO contacts for auxiliary contacts  | 0  |
| <b>number of NC contacts for auxiliary contacts</b>   | 0  |
| <b>number of NO contacts for auxiliary contacts</b>   | 0  |
| <b>operating voltage of auxiliary contacts at AC maximum</b>  | 500 V  |
| <b>continuous current of the auxiliary contact rated value</b>  | 10 A   |
| insulation voltage of the auxiliary switch rated value  | 500 V  |
| <b>Suitability</b>  |  |
| <b>suitability for use main switch</b>  | Yes  |
| <b>suitability for use switch disconnecter</b>  | Yes  |
| <b>suitability for use EMERGENCY OFF switch</b>   | Yes  |
| <b>suitability for use safety switch</b>  | Yes  |
| <b>suitability for use maintenance/repair switch</b>  | Yes  |
| <b>Product details</b>  |  |
| <b>product feature can be locked into OFF position</b>  | Yes  |
| <b>Accessories</b>  |  |
| <b>product extension optional</b>   |  |
| <ul style="list-style-type: none"> <li>• motor drive</li> <li>• voltage trigger</li> </ul>  | No<br>No   |
| <b>number of connectable NC contacts for auxiliary contacts attachable maximum</b>  | 2  |
| <b>number of connectable NO contacts for auxiliary contacts attachable maximum</b>  | 4  |
| <b>number of connectable CO contacts for auxiliary contacts attachable maximum</b>  | 0  |
| <b>number of bracket locks maximum</b>  | 3  |
| <b>hasp thickness of the bracket locks</b>  | 5 ... 7.5 mm   |
| <b>Short circuit</b>  |  |
| <b>conditional short-circuit current with line-side fuse protection</b>   |  |
| <ul style="list-style-type: none"> <li>• at 440 V by gG fuse rated value</li> <li>• at 690 V by gG fuse rated value</li> </ul>  | 50 kA<br>30 kA   |
| <b>let-through current with closed switch</b>   |  |
| <ul style="list-style-type: none"> <li>• at 240 V for combination switch + gG fuse maximum</li> <li>• at 440 V for combination switch + gG fuse maximum</li> <li>• at 690 V for combination switch + gG fuse maximum permissible</li> </ul>   | 16 kA<br>16 kA<br>15 kA  |
| <b>I<sup>2</sup>t value with closed switch</b>  |  |
| <ul style="list-style-type: none"> <li>• at 240 V for combination switch + gG fuse maximum</li> <li>• at 440 V for combination switch + gG fuse maximum</li> <li>• at 690 V for combination switch + gG fuse maximum</li> </ul>   | 223 kA <sup>2</sup> .s<br>223 kA <sup>2</sup> .s<br>223 kA <sup>2</sup> .s |
| <b>design of the fuse link</b>  |  |
| <ul style="list-style-type: none"> <li>• for short-circuit protection of the main circuit required</li> <li>• for short-circuit protection of the auxiliary switch required</li> </ul>  | Fuse gG: 160 A<br>fuse gL/gG: 10 A   |
| <b>operational current of upstream fuse rated value</b>   | 160 A  |
| <b>according UL</b>   |  |
| <b>operational current at AC according to UL 489/UL 60947-4-1 rated value</b>   | 150 A  |
| <b>operational current at AC according to UL 508/UL 60947-4-1 rated value</b>   | 150 A  |
| <b>operating voltage at AC at 50/60 Hz according to UL 489 rated value</b>  | 480 V  |
| <b>operating voltage at AC at 50/60 Hz according to UL 508/UL 60947-4-1 rated value</b>   | 480 V  |
| <b>active power [hp] at AC at 480 V according to UL 508/UL 60947-4-1 rated value</b>  | 100  |

|  |         |
|--|---------|
| short-time withstand current (SCCR) at 480 V according to UL 508/UL 60947-4-1 and UL 489 | 50 kA   |
| continuous current of upstream fuse according to UL rated value                          | 150 A   |
| type of fuse according to UL   | Class J |

### Connections

|   |  |
|---|--|
| AWG number as coded connectable conductor cross section solid maximum                         | 1<br>4/0   |
| AWG number as coded connectable conductor cross section solid according to UL 489             | 1<br>4/0   |
| AWG number as coded connectable conductor cross section solid according to CSA C22.2 No. 5-16 | 3<br>2/0   |
| type of connectable conductor cross-sections for copper conductor                             | 1x (16 ...185mm <sup>2</sup> )<br>1x (16...150mm <sup>2</sup> )<br>1x (16...185mm <sup>2</sup> )   |
| type of connectable conductor cross-sections for auxiliary contacts                           | 2x (0.75 ... 2.5 mm <sup>2</sup> ), 1x 4 mm <sup>2</sup><br>2x (0.75 ... 1.5 mm <sup>2</sup> ), 1x 2.5 mm <sup>2</sup><br>2x (0.75 ... 2.5 mm <sup>2</sup> ), 1x 4 mm <sup>2</sup> |
| type of electrical connection   | box terminal<br>connection terminals   |

### Mechanical Design

|                  |                                     |
|------------------|-------------------------------------|
| height           | 178 mm                              |
| width            | 113 mm                              |
| depth            | 158 mm                              |
| type of device   | fixed mounting                      |
| fastening method | Built-in unit fixed-mounted version |
| fastening method | No<br>No<br>No                      |
| Net Weight       | 2.07 kg                             |

### Environmental conditions

|                                      |                 |
|--------------------------------------|-----------------|
| ambient temperature during operation | -25 °C<br>55 °C |
| ambient temperature during storage   | -25 °C<br>55 °C |

### Approvals Certificates

|                          |       |
|--------------------------|-------|
| General Product Approval | other |
|--------------------------|-------|



|       |             |
|-------|-------------|
| other | Environment |
|-------|-------------|

[Confirmation](#)

[Environmental Con-  
firmations](#)

## Further information

### Information on the packaging

<https://support.industry.siemens.com/cs/ww/en/view/109813875>

### Information for data generation and storage

<https://support.industry.siemens.com/cs/ww/en/view/109995012>

### Information- and Downloadcenter (Catalogs, Brochures,...)

<https://www.siemens.com/lowvoltage/catalogs>

### Industry Mall (Online ordering system)

<https://mall.industry.siemens.com/mall/en/en/Catalog/product?mlfb=3LD5800-0TK13>

### Service&Support (Manuals, Certificates, Characteristics, FAQs,...)

<https://support.industry.siemens.com/cs/ww/en/ps/3LD5800-0TK13>

### Image database (product images, 2D dimension drawings, 3D models, device circuit diagrams, ...)

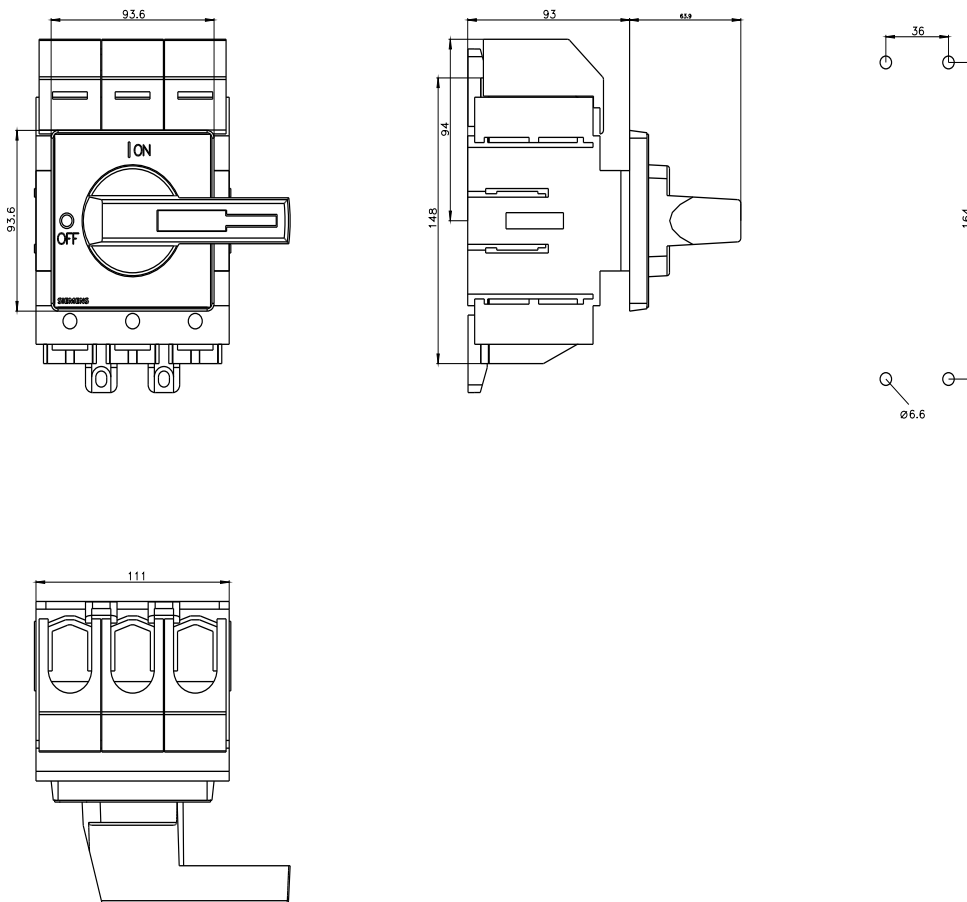
[https://www.automation.siemens.com/bilddb/cax\\_en.aspx?mlfb=3LD5800-0TK13](https://www.automation.siemens.com/bilddb/cax_en.aspx?mlfb=3LD5800-0TK13)

### CAX-Online-Generator

<https://www.siemens.com/cax>

### Tender specifications

<https://www.siemens.com/specifications>



last modified:

10/14/2025 

