



SENTRON 3LD5 switch disconnecter UL, main switch, 3-pole, approved according to UL 489, UL 60947-4-1 and IEC 60947-3, UL: 100 A, SCCR 65 kA at 480 V AC, operational power @ 480 V AC 3-phase: 60 hp, IEC: 100 A, operational power at AC-23 A at 400 V: 45 kW, floor mounting with direct operating mechanism, black, including terminal covers for the infeed side for the infeed side

| Model | |
|---|----------------------------------|
| product brand name | SENTRON |
| product designation | Switch disconnecter |
| design of the product | Main switch |
| display version for switch position indicator manual operation | 1 ON - 0 OFF |
| type of switch | Floor mounting with direct drive |
| design of the actuating element | selector switch |
| color of the actuating element | black |
| design of handle | knob-operated mechanism, black |
| type of the driving mechanism motor drive | No |
| General technical data | |
| number of poles | 3 |
| size of switch disconnecter | 3 |
| mechanical service life (operating cycles) typical | 100 000 |
| electrical endurance (operating cycles) | |
| • at AC-23 A at 690 V | 6 000 |
| operating frequency maximum | 50 1/h |
| degree of pollution | 3 |
| Voltage | |
| insulation voltage rated value | 690 V |
| surge voltage resistance rated value | 6 kV |
| operating voltage | |
| • at AC rated value | 690 V |
| operating frequency rated value | |
| • minimum | 50 Hz |
| • maximum | 60 Hz |
| Protection class | |
| protection class IP | IP00 |
| protection class IP on the front | IP00 |
| Dissipation | |
| power loss [W] for rated value of the current at AC in hot operating state per pole | 36 W |
| Main circuit | |
| operational current | |
| • at AC-21 at 690 V rated value | 100 A |
| • at AC-21 A at 240 V rated value | 100 A |
| • at AC-21 A at 400 V rated value | 100 A |
| • at AC-21 A at 440 V rated value | 100 A |
| • at AC-23 A at 400 V rated value | 100 A |

| | |
|---|--|
| operating power | |
| <ul style="list-style-type: none"> • at AC-23 A at 240 V rated value • at AC-23 A at 440 V rated value • at AC-23 A at 690 V rated value • at AC-3 at 240 V rated value • at AC-3 at 400 V rated value • at AC-3 at 690 V rated value | 30 kW 45 kW 37 kW 30 kW 45 kW 30 kW |
| Auxiliary circuit | |
| number of CO contacts for auxiliary contacts | 0 |
| number of NC contacts for auxiliary contacts | 0 |
| number of NO contacts for auxiliary contacts | 0 |
| operating voltage of auxiliary contacts at AC maximum | 500 V |
| continuous current of the auxiliary contact rated value | 10 A |
| insulation voltage of the auxiliary switch rated value | 500 V |
| Suitability | |
| suitability for use main switch | Yes |
| suitability for use switch disconnecter | Yes |
| suitability for use EMERGENCY OFF switch | No |
| suitability for use safety switch | Yes |
| suitability for use maintenance/repair switch | Yes |
| Product details | |
| product feature can be locked into OFF position | Yes |
| Accessories | |
| product extension optional | |
| <ul style="list-style-type: none"> • motor drive • voltage trigger | No No |
| number of connectable NC contacts for auxiliary contacts attachable maximum | 2 |
| number of connectable NO contacts for auxiliary contacts attachable maximum | 4 |
| number of connectable CO contacts for auxiliary contacts attachable maximum | 0 |
| number of bracket locks maximum | 3 |
| hasp thickness of the bracket locks | 5 ... 7.5 mm |
| Short circuit | |
| conditional short-circuit current with line-side fuse protection | |
| <ul style="list-style-type: none"> • at 440 V by gG fuse rated value • at 690 V by gG fuse rated value | 50 kA 50 kA |
| let-through current with closed switch | |
| <ul style="list-style-type: none"> • at 240 V for combination switch + gG fuse maximum • at 440 V for combination switch + gG fuse maximum • at 690 V for combination switch + gG fuse maximum permissible | 16 kA 16 kA 15 kA |
| I_{2t} value with closed switch | |
| <ul style="list-style-type: none"> • at 240 V for combination switch + gG fuse maximum • at 440 V for combination switch + gG fuse maximum • at 690 V for combination switch + gG fuse maximum | 223 kA ² .s 223 kA ² .s 223 kA ² .s |
| design of the fuse link | |
| <ul style="list-style-type: none"> • for short-circuit protection of the main circuit required • for short-circuit protection of the auxiliary switch required | Fuse gG: 125 A fuse gL/gG: 10 A |
| operational current of upstream fuse rated value | 125 A |
| according UL | |
| operational current at AC according to UL 489/UL 60947-4-1 rated value | 100 A |
| operational current at AC according to UL 508/UL 60947-4-1 rated value | 100 A |
| operating voltage at AC at 50/60 Hz according to UL 489 rated value | 480 V |
| operating voltage at AC at 50/60 Hz according to UL 508/UL 60947-4-1 rated value | 480 V |
| active power [hp] at AC at 480 V according to UL 508/UL 60947-4-1 rated value | 60 |

| | |
|--|---------|
| short-time withstand current (SCCR) at 480 V according to UL 508/UL 60947-4-1 and UL 489 | 65 kA |
| continuous current of upstream fuse according to UL rated value | 100 A |
| type of fuse according to UL | Class J |

Connections

| | |
|---|--|
| AWG number as coded connectable conductor cross section solid maximum | 3 4/0 |
| AWG number as coded connectable conductor cross section solid according to UL 489 | 3 4/0 |
| AWG number as coded connectable conductor cross section solid according to CSA C22.2 No. 5-16 | 3 2/0 |
| type of connectable conductor cross-sections for copper conductor | 1x (16 ...185mm ²) 1x (16...150mm ²) 1x (16...185mm ²) |
| type of connectable conductor cross-sections for auxiliary contacts | 2x (0.75 ... 2.5 mm ²), 1x 4 mm ² 2x (0.75 ... 1.5 mm ²), 1x 2.5 mm ² 2x (0.75 ... 2.5 mm ²), 1x 4 mm ² |
| type of electrical connection | box terminal connection terminals |

Mechanical Design

| | |
|------------------|-------------------------------------|
| height | 178 mm |
| width | 113 mm |
| depth | 158 mm |
| type of device | fixed mounting |
| fastening method | Built-in unit fixed-mounted version |
| fastening method | No No No |
| Net Weight | 2.02 kg |

Environmental conditions

| | |
|--------------------------------------|-----------------|
| ambient temperature during operation | -25 °C 55 °C |
| ambient temperature during storage | -25 °C 55 °C |

Approvals Certificates

| | |
|--------------------------|-------|
| General Product Approval | other |
|--------------------------|-------|



| | |
|-------|-------------|
| other | Environment |
|-------|-------------|

[Confirmation](#)

[Environmental Con-
firmations](#)

Further information

Information on the packaging

<https://support.industry.siemens.com/cs/ww/en/view/109813875>

Information for data generation and storage

<https://support.industry.siemens.com/cs/ww/en/view/109995012>

Information- and Downloadcenter (Catalogs, Brochures,...)

<https://www.siemens.com/lowvoltage/catalogs>

Industry Mall (Online ordering system)

<https://mall.industry.siemens.com/mall/en/en/Catalog/product?mlfb=3LD5400-0TK11>

Service&Support (Manuals, Certificates, Characteristics, FAQs,...)

<https://support.industry.siemens.com/cs/ww/en/ps/3LD5400-0TK11>

Image database (product images, 2D dimension drawings, 3D models, device circuit diagrams, ...)

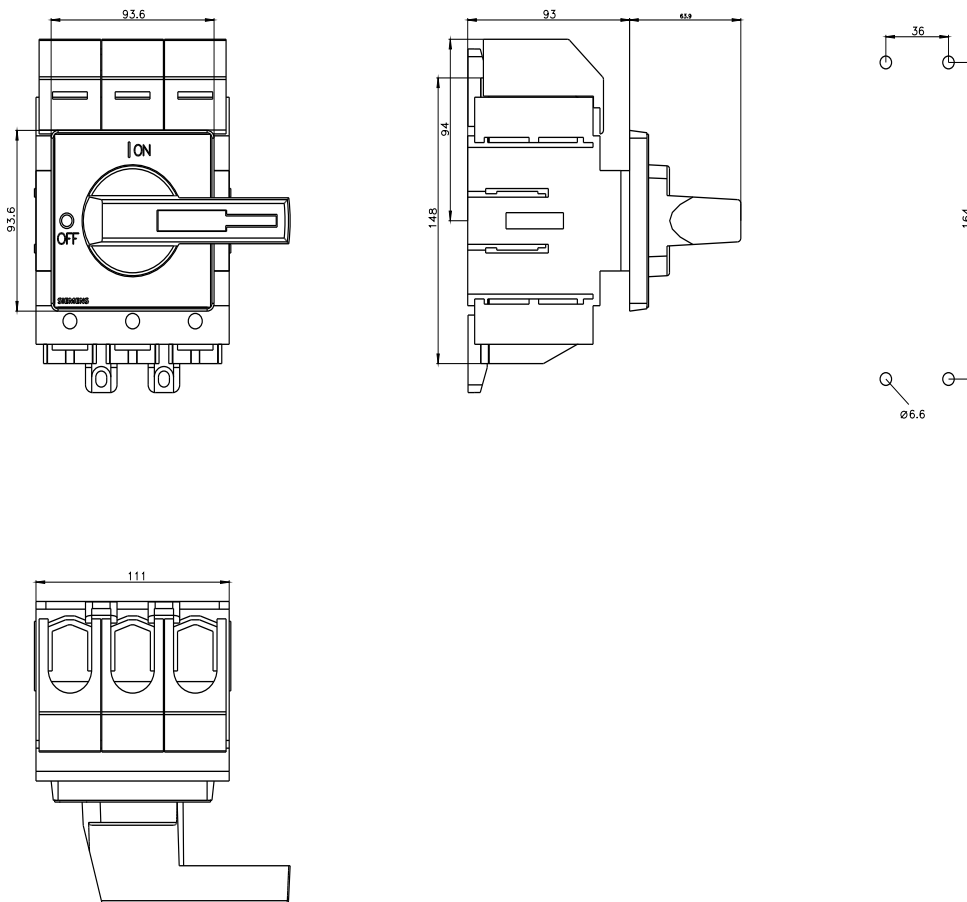
https://www.automation.siemens.com/bilddb/cax_en.aspx?mlfb=3LD5400-0TK11

CAX-Online-Generator

<https://www.siemens.com/cax>

Tender specifications

<https://www.siemens.com/specifications>



last modified:

10/14/2025 

