



3LD3 switch disconnecter, Iu 32 A main switch 3-pole rated operational power for AC-23 A at 400 V 11.5 kW floor mounting basic switch with door coupling center-hole mounting 22.5 mm rotary operating mechanism black 66 x 66 mm with auxiliary switches 1 NO + 1 NC

| Model   |                                   |
|---|-----------------------------------|
| product brand name  | SENTRON                           |
| product designation   | Switch disconnecter               |
| design of the product   | Main switch                       |
| display version for switch position indicator manual operation                      | 1 ON - 0 OFF                      |
| type of switch  | Floor mounting with door coupling |
| design of the actuating element   | Short rotary knob                 |
| color of the actuating element  | black                             |
| design of handle  | rotary operating mechanism, black |
| type of the driving mechanism motor drive   | No                                |
| General technical data  |                                   |
| number of poles   | 3                                 |
| number of poles note  | 3                                 |
| mechanical service life (operating cycles) typical                                  | 100 000                           |
| electrical endurance (operating cycles)   |                                   |
| • at AC-23 A at 690 V   | 6 000                             |
| operating frequency maximum   | 50 1/h                            |
| degree of pollution   | 3                                 |
| Voltage   |                                   |
| insulation voltage rated value  | 690 V                             |
| surge voltage resistance rated value  | 6 kV                              |
| operating voltage   |                                   |
| • at AC rated value   | 690 V                             |
| operating frequency rated value   |                                   |
| • minimum   | 50 Hz                             |
| • maximum   | 60 Hz                             |
| Protection class  |                                   |
| protection class IP   | IP65                              |
| degree of protection NEMA rating  | 1, 3R, 4X, 12                     |
| protection class IP on the front  | IP65                              |
| Dissipation   |                                   |
| power loss [W] for rated value of the current at AC in hot operating state per pole | 1.8 W                             |
| Main circuit  |                                   |
| operational current   |                                   |
| • at AC-21 at 690 V rated value   | 32 A                              |
| • at AC-21 A at 240 V rated value   | 32 A                              |
| • at AC-21 A at 400 V rated value   | 32 A                              |
| • at AC-21 A at 440 V rated value   | 32 A                              |

|  |  |
|--|--|
| <ul style="list-style-type: none"> <li>• at AC-23 A at 400 V rated value</li> </ul>  | 22 A   |
| <b>operating power</b>   |  |
| <ul style="list-style-type: none"> <li>• at AC-23 A at 240 V rated value</li> <li>• at AC-23 A at 400 V rated value</li> <li>• at AC-23 A at 440 V rated value</li> <li>• at AC-23 A at 690 V rated value</li> <li>• at AC-3 at 240 V rated value</li> <li>• at AC-3 at 400 V rated value</li> <li>• at AC-3 at 690 V rated value</li> </ul> | 6 kW<br>12 kW<br>11.5 kW<br>12 kW<br>5.5 kW<br>10 kW<br>9.5 kW |

| Auxiliary circuit  |       |
|--|-------|
| number of CO contacts for auxiliary contacts                   | 0     |
| <b>number of NC contacts for auxiliary contacts</b>            | 1     |
| <b>number of NO contacts for auxiliary contacts</b>            | 1     |
| <b>operating voltage of auxiliary contacts at AC maximum</b>   | 500 V |
| <b>continuous current of the auxiliary contact rated value</b> | 10 A  |
| insulation voltage of the auxiliary switch rated value         | 500 V |

| Suitability  |     |
|--|-----|
| <b>suitability for use main switch</b>               | Yes |
| <b>suitability for use switch disconnecter</b>       | Yes |
| <b>suitability for use EMERGENCY OFF switch</b>      | No  |
| <b>suitability for use safety switch</b>             | Yes |
| <b>suitability for use maintenance/repair switch</b> | Yes |

| Product details  |                                |
|--|--------------------------------|
| <b>special product feature</b>                         | Can be locked in zero position |
| <b>product feature can be locked into OFF position</b> | Yes                            |

| Accessories  |            |
|--|------------|
| <b>product extension optional</b>  |            |
| <ul style="list-style-type: none"> <li>• motor drive</li> <li>• voltage trigger</li> </ul> | No<br>No   |
| <b>number of connectable NC contacts for auxiliary contacts attachable maximum</b>         | 2          |
| <b>number of connectable NO contacts for auxiliary contacts attachable maximum</b>         | 4          |
| <b>number of connectable CO contacts for auxiliary contacts attachable maximum</b>         | 0          |
| <b>number of bracket locks maximum</b>   | 3          |
| <b>hasp thickness of the bracket locks</b>   | 4 ... 8 mm |

| Short circuit   |  |
|---|--|
| <b>conditional short-circuit current with line-side fuse protection</b>   |  |
| <ul style="list-style-type: none"> <li>• at 440 V by gG fuse rated value</li> <li>• at 690 V by gG fuse rated value</li> </ul>  | 10 kA<br>6 kA  |
| <b>let-through current with closed switch</b>   |  |
| <ul style="list-style-type: none"> <li>• at 240 V for combination switch + gG fuse maximum</li> <li>• at 440 V for combination switch + gG fuse maximum</li> <li>• at 690 V for combination switch + gG fuse maximum permissible</li> </ul> | 4.5 kA<br>4.5 kA<br>5 kA   |
| <b>I<sub>2t</sub> value with closed switch</b>  |  |
| <ul style="list-style-type: none"> <li>• at 240 V for combination switch + gG fuse maximum</li> <li>• at 440 V for combination switch + gG fuse maximum</li> <li>• at 690 V for combination switch + gG fuse maximum</li> </ul>             | 9 kA <sup>2</sup> .s<br>9 kA <sup>2</sup> .s<br>9 kA <sup>2</sup> .s |
| <b>design of the fuse link</b>  |  |
| <ul style="list-style-type: none"> <li>• for short-circuit protection of the main circuit required</li> <li>• for short-circuit protection of the auxiliary switch required</li> </ul>  | fuse gL/gG: 40 A<br>fuse gL/gG: 10 A                                 |
| <b>operational current of upstream fuse rated value</b>   | 32 A   |

| according UL  |       |
|---|-------|
| <b>operational current at AC according to UL 508/UL 60947-4-1 rated value</b>           | 32 A  |
| <b>operating voltage at AC at 50/60 Hz according to UL 508/UL 60947-4-1 rated value</b> | 600 V |
| <b>active power [hp] at AC at 480 V according to UL 508/UL 60947-4-1 rated value</b>    | 20    |
| <b>active power [hp] at AC at 600 V according to UL 508/UL</b>                          | 20    |

|   |      |
|---|------|
| 60947-4-1 rated value   |      |
| short-time withstand current (SCCR) at 600 V according to UL 508/UL 60947-4-1 | 5 kA |
| continuous current of upstream fuse according to UL rated value               | 50 A |
| type of fuse according to UL  | RK5  |

#### Connections

|   |  |
|---|--|
| AWG number as coded connectable conductor cross section solid maximum |  |
| •   | 6  |
| •   | 14   |
| type of connectable conductor cross-sections for copper conductor     |  |
| • solid   | 1x (2.5 to 16 mm <sup>2</sup> )                            |
| • finely stranded with core end processing                            | 1x (2.5...16 mm <sup>2</sup> )                             |
| • stranded  | 1x (2.5 to 16 mm <sup>2</sup> )                            |
| type of connectable conductor cross-sections for auxiliary contacts   |  |
| • solid   | 2x (0.75 ... 2.5 mm <sup>2</sup> ), 1x 4 mm <sup>2</sup>   |
| • finely stranded with core end processing                            | 2x (0.75 ... 1.5 mm <sup>2</sup> ), 1x 2.5 mm <sup>2</sup> |
| • stranded  | 2x (0.75 ... 2.5 mm <sup>2</sup> ), 1x 4 mm <sup>2</sup>   |
| type of electrical connection   |  |
| • for main current circuit  | box terminal   |
| • for auxiliary contacts  | Box terminals  |

#### Mechanical Design

|  |                                     |
|--|-------------------------------------|
| height                                   | 60 mm                               |
| width                                    | 47 mm                               |
| depth                                    | 380 mm                              |
| type of device                           | fixed mounting                      |
| fastening method                         | Built-in unit fixed-mounted version |
| fastening method                         |                                     |
| • 4-hole front mounting                  | No                                  |
| • front mounting with central attachment | Yes                                 |
| • rail mounting                          | Yes                                 |
| Net Weight                               | 366 g                               |

#### Environmental conditions

|                                      |        |
|--------------------------------------|--------|
| ambient temperature during operation |        |
| • minimum                            | -25 °C |
| • maximum                            | 55 °C  |
| ambient temperature during storage   |        |
| • minimum                            | -25 °C |
| • maximum                            | 55 °C  |

#### Approvals Certificates

|                          |       |
|--------------------------|-------|
| General Product Approval | other |
|--------------------------|-------|



|       |             |
|-------|-------------|
| other | Environment |
|-------|-------------|

[Confirmation](#)

[Environmental Confirmations](#)

[Environmental Confirmations](#)

#### Further information

Information on the packaging

<https://support.industry.siemens.com/cs/ww/en/view/109813875>

Information for data generation and storage

<https://support.industry.siemens.com/cs/ww/en/view/109995012>

[Information- and Downloadcenter \(Catalogs, Brochures,...\)](#)

<https://www.siemens.com/lowvoltage/catalogs>

Industry Mall (Online ordering system)

<https://mall.industry.siemens.com/mall/en/en/Catalog/product?mlfb=3LD3248-1TK51>

Service&Support (Manuals, Certificates, Characteristics, FAQs,...)

<https://support.industry.siemens.com/cs/ww/en/ps/3LD3248-1TK51>

Image database (product images, 2D dimension drawings, 3D models, device circuit diagrams, ...)

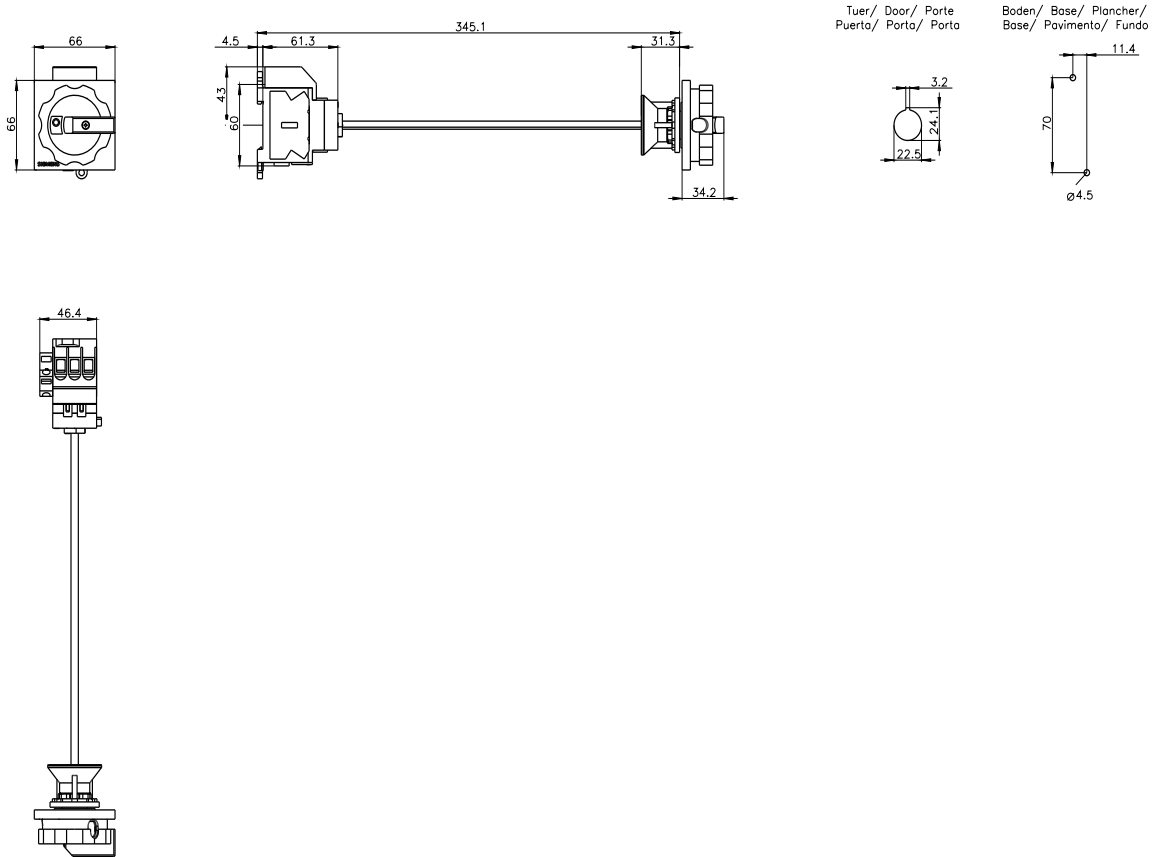
[https://www.automation.siemens.com/bilddb/cax\\_en.aspx?mlfb=3LD3248-1TK51](https://www.automation.siemens.com/bilddb/cax_en.aspx?mlfb=3LD3248-1TK51)

CAX-Online-Generator

<https://www.siemens.com/cax>

Tender specifications

<https://www.siemens.com/specifications>



last modified:

10/14/2025

