

Data sheet for SIMOTICS S-1FL2

Article No. : 1FL2310-4AC11-0SB0



Client order no. :
Order no. :
Offer no. :
Remarks :

Item no. :
Consignment no. :
Project :

Basic motor data

Motor type	Permanent-magnet synchronous motor
Motor type	High Inertia
Static torque	25.20 Nm
Static current	12.60 A
Maximum torque	70.00 Nm
Maximum current	36.90 A
Maximum speed	2,500 rpm
Rotor moment of inertia	90.8270 kgcm ²
Weight	29.70 kg

Rated data

SINAMICS S200, 3 AC 380 ... 480 V

Rated speed	2,000 rpm
Rated torque	23.90 Nm
Rated current	12.60 A
Rated power	5.00 kW

Encoder system

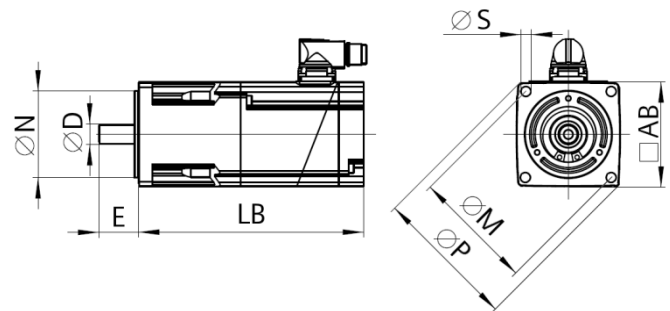
Encoder system Absolute encoder singleturn 21 bit

Motor connection

Connection type Metal angular connector

Mechanical data

Design acc. to Code I	IM B5 (IM V1, IM V3)
Vibration severity grade	Grade A
Shaft height	90
Flange size (AB)	180 mm
Centering ring (N)	114.3 mm
Hole circle (M)	200 mm
Screw-on hole (S)	13.5 mm
Overall length (LB)	307 mm
Diameter of shaft (D)	35 mm
Length of shaft (E)	80 mm
Length of flange diagonal (P)	228 mm
Shaft end	Plain shaft
Color of the housing	Anthracite RAL 7016



Holding brake

Rated voltage	24 V DC 10 %
Rated current	1.90 A
Holding torque M_{4Br}	30.00 Nm
Opening time	220 ms
Closing time	115 ms