

Data sheet for SIMOTICS S-1FL2

Article No. : 1FL2103-2AF11-0MC0



Client order no. :
Order no. :
Offer no. :
Remarks :

Item no. :
Consignment no. :
Project :

Basic motor data

Motor type	Permanent-magnet synchronous motor
Motor type	Low Inertia
Static torque	0.64 Nm
Static current	1.30 A
Maximum torque	2.24 Nm
Maximum current	4.80 A
Maximum speed	6,500 rpm
Rotor moment of inertia	0.0800 kgcm ²
Weight	1.12 kg

Rated data

SINAMICS S200, 3 AC 380 ... 480 V

Rated speed	3,000 rpm
Rated torque	0.64 Nm
Rated current	1.30 A
Rated power	0.20 kW

Encoder system

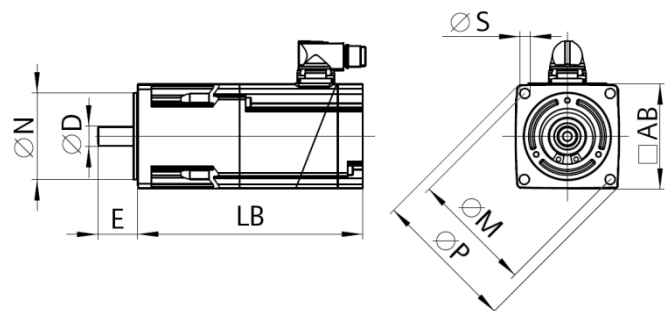
Encoder system	Absolute encoder 21-bit singleturn + 12-bit multiturn
----------------	---

Motor connection

Connection type	Metal hybrid connector
-----------------	------------------------

Mechanical data

Design acc. to Code I	IM B5 (IM V1, IM V3)
Vibration severity grade	Grade A
Shaft height	30
Flange size (AB)	60.2 mm
Centering ring (N)	50 mm
Hole circle (M)	70 mm
Screw-on hole (S)	5.4 mm
Overall length (LB)	105.5 mm
Diameter of shaft (D)	14 mm
Length of shaft (E)	30 mm
Length of flange diagonal (P)	81 mm
Shaft end	Plain shaft
Color of the housing	Anthracite RAL 7016



Holding brake

Rated voltage	24 V DC 10 %
Rated current	0.30 A
Holding torque M_{4Br}	1.30 Nm
Opening time	60 ms
Closing time	10 ms