



Article No. : 1FL2102-4AG10-0MC0

Client order no. :
Order no. :
Offer no. :
Remarks :

Item no. :
Consignment no. :
Project :

Basic motor data

Motor type	Permanent-magnet synchronous motor
Motor type	Low Inertia
Static torque	0.32 Nm
Static current	0.76 A
Maximum torque	1.12 Nm
Maximum current	2.95 A
Maximum speed	6,500 rpm
Rotor moment of inertia	0.0290 kgcm ²
Weight	0.56 kg

Rated data

SINAMICS S200, 1/3 AC 200 ... 240 V

Rated speed	3,000 rpm
Rated torque	0.32 Nm
Rated current	0.76 A
Rated power	0.10 kW

Encoder system

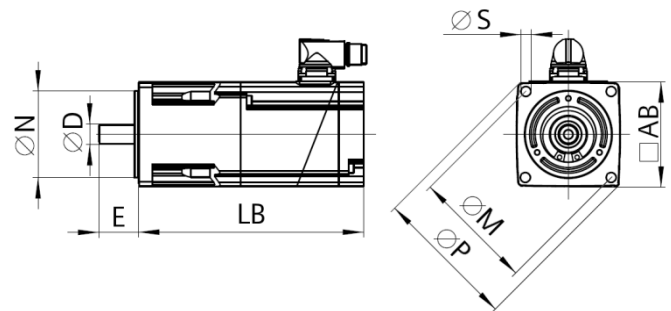
Encoder system	Absolute encoder 21-bit singleturn + 12-bit multiturn
----------------	---

Motor connection

Connection type	Metal hybrid connector
-----------------	------------------------

Mechanical data

Design acc. to Code I	IM B5 (IM V1, IM V3)
Vibration severity grade	Grade A
Shaft height	20
Flange size (AB)	40.6 mm
Centering ring (N)	30 mm
Hole circle (M)	46 mm
Screw-on hole (S)	4.4 mm
Overall length (LB)	109.9 mm
Diameter of shaft (D)	8 mm
Length of shaft (E)	25 mm
Length of flange diagonal (P)	54 mm
Shaft end	Plain shaft
Color of the housing	Anthracite RAL 7016



Holding brake

Rated voltage	24 V DC 10 %
Rated current	0.25 A
Holding torque M_{4Br}	0.32 Nm
Opening time	35 ms
Closing time	10 ms